



CARRIER SYSTEMS



Thule VeloTrack

The e-bike rack developed for your van

Specially developed for: Fiat Ducato / Peugeot Boxer / Citroën Jumper > 2006 / Opel Movano > 2022 / Toyota Proace Max > 2024

- Hinge-mounted bike rack
- For 2-3 bicycles
- Opening the tailgate even with loaded e-bikes
- Easier loading of bikes due to the lower position on your van
- Long, robust rails for tires up to 3 inches
- Space for larger bike models and heavy e-bikes

Black color 426974 1279,-

Available from March 2025

All information on page 459

Bike racks for VW buses.....	452 – 453	Motorcycle/bike racks for motorhomes & vans.....	485 – 489
Bike racks for vans.....	454 – 457	Trailer coupling.....	488
Bike racks for split tailgate.....	458 - 462, 465 - 467	Bike racks for rear garage.....	491 – 494
Fiamma bike rack accessories.....	463 – 464	Products rear garage / Tensioning straps.....	495 – 497
Bike racks for motorhomes/caravans.....	468 – 472	Bicycle covers & warning signs.....	498 – 499
Lowerable bike racks.....	473 – 475	Bike rack boxes.....	500
Foldable e-bikes.....	476	Multirail rain gutter & roof rack attachment.....	501
Bike racks for caravans.....	477 – 480	Roof rack systems.....	502 – 504
Bike racks for the trailer coupling.....	481 - 482, 490	Roof rack/roof rail.....	505 – 506
.....	481 - 482, 490	Ladders for rear wall/sleeping roof.....	507 – 508
Pull-ins for motorcycles/scooters/bikes.....	484 – 485	Telescopic multifunctional ladders.....	509

BICYCLE RACKS FOR VOLKSWAGEN TRANSPORTER



EXCLUSIVE PRODUCT



① 440700

468,-

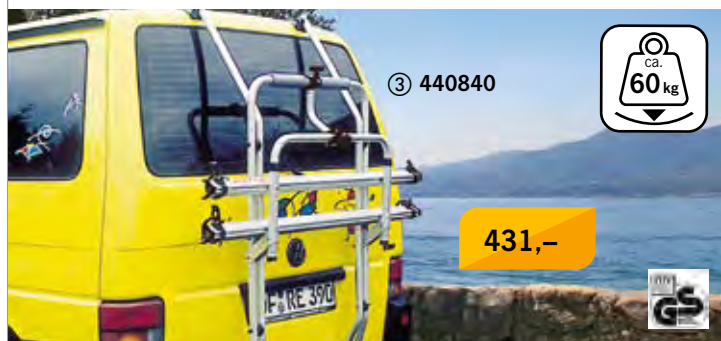
- ① Carry Bike, for Volkswagen Transporter 5, year 2003-2015
- REIMO exclusive product!
 - Secure fastening of bicycle rims thanks to sliding locking blocks and quick straps
 - For attachment to the tailgate



② 440415

419,-

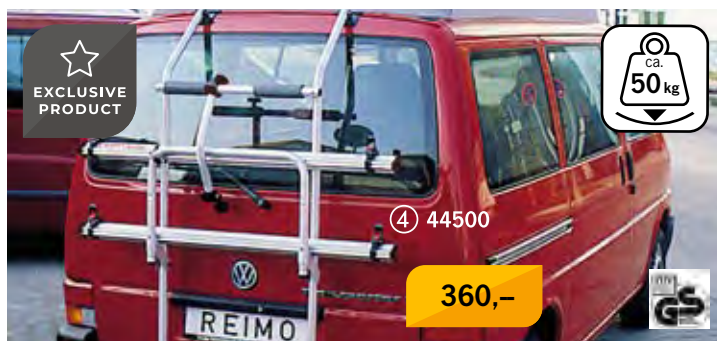
- ② Carry bike, for Volkswagen Transporter 5, year 2003-2015
- Secure bike attachment using Rail Quick quick-release fasteners w/ support on the bumper
 - For 2 bikes, with extendable frame for max. 4 bikes
 - Now also suitable for 2 e-bikes



③ 440840

431,-

- ③ Carry Bike, for Volkswagen Transporter 4, year 1991-2003
- Also for vehicles with pop-up roof
 - Very stable with bumper support
 - For attachment to the tailgate, for 2 wheels (maximum 4 wheels)



④ 44500

360,-

- ④ Carry Bike, for Volkswagen Transporter 4, year 1991-2003
- REIMO exclusive product!
 - Inexpensive bike carrier for 2 bikes (maximum 3 bikes) for mounting on the tailgate.

⑤ 440417 VW T4

⑥ 440433 | VW T6/T6.1



⑦ 440250



⑧ 440693



Also available in deep black

from 356,-

Carry Bike for VW T5/T6/T6.1 and T4 with split rear door

- Fastening with premium rails
- For a maximum of 2 bicycles

⑦ Carry Bike, for Volkswagen Transporter 2 < year 1980

⑧ Carry bike, for Volkswagen Transporter 3 < year 1990

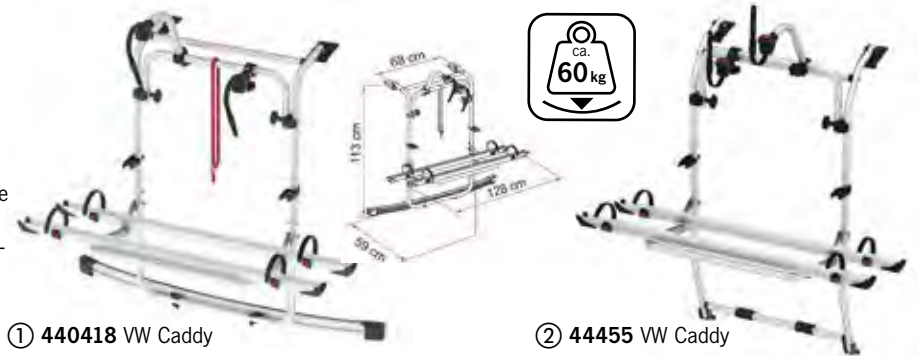
Model	Max. load capacity	Weight	Number of bicycles	Maximum bicycles	E-bikes	Incl. bicycle rail 128 cm long	Incl. bike block	Art. no.	Price
① VW T5 REIMO Exclusive product, silver	50 kg	9,2 kg	2	3		2 x Premium	1+ 3	440700	468,-
② VW T5 2003 - 2015, silver	60 kg	9,1 kg	2	4	2	2 x Plus	Pro 1+ Pro 3	440415	419,-
③ VW T4 1991 - 1996, silver	60 kg	8,3 kg	2	4		2 x Rail Quick Pro	Pro 1+ 3	440840	431,-
④ VW T4 REIMO Exclusive 1991 - 2003, Silver	50 kg	7,4 kg	2	3		2 x Rail Quick	1+ 3	44500	360,-
⑤ VW T4, double door 1991 - 2003, silver	35 kg	7,9 kg	2	2		2 x Plus	Pro 1+ Pro 2	440417	457,-
⑥ VW T5/T6/T6.1 double door, silver ≥ 2003	35 kg	7,1 kg	2	2		2 x Plus	Pro S 1+Pro S 2	440433	512,-
⑥ VW T5/T6/T6.1 double door, Deep Black ≥ 2003	35 kg	7,1 kg	2	2		2 x Plus	Pro S 1+Pro S 2	440434	609,-
⑦ VW T2 < 1980, silver	35 kg	7,0 kg	2	2		2 x Rail Quick Pro	Pro S1+ Pro S2	440250	356,-
⑧ VW T3 "Bulli" ≤ YOC. 1990; silver	50 kg	6,5 kg	2	3		2 x Rail Quick Pro	Pro S1+ Pro S3	440693	376,-

① Carry-Bike for Volkswagen Caddy

Carry-Bike for Volkswagen Caddy, equipped with the new Rail Plus rails. Now also suitable for 2 e-bikes.

② Carry-Bike for Volkswagen Caddy

Bike rack for Volkswagen Caddy. The upper joint structure enables precise adjustment of position of the bike block for securing the bikes, while practical lower clamping system allows Carry-Bike to be securely attached to vehicle.



① 440418 VW Caddy

② 44455 VW Caddy



③ Carry-Bike Volkswagen Transporter 6.1 /6 REIMO in elegant Deep Black

- Suitable for transporting 4 wheels
- Rail Premium

The rack is suitable for up to 4 bikes (i.e. telescopic support bracket), but is equipped as standard for transporting 2 bikes.



③ 440223 VW T6.1/T6



Carry Bike for Volkswagen Transporter 6 / 6.1

Also Caravelle, Multivan, California (≥ 2014)



④ 440416 VW T6/T6.1



Carry-Bike VW T5 Pro & T6/T6.1 Pro

- Now completely pre-assembled
- Tailgate can be opened without bicycles when Carry-Bike is mounted

The two Carry-Bike models VW T5 Pro and T6 Pro Carry-Bike are delivered completely pre-assembled, the bike rack is simply attached to the vehicle and is ready for immediate use.



⑤ 440851 VW T5

⑥ 440852 W T6/T6.1

Carry Bike model	Max. load capacity	Weight	Number of bicycles	Maximum bicycles	E-bikes	Bicycle rail 128 cm long	BikeBlock	Art. no.	Price
① Volkswagen Caddy	60 kg	11,7 kg	2	4	2	2 x Plus	Pro 1+ 3	440418	539,-
② Volkswagen Caddy (previous version)	60 kg	10,0 kg	2	4	-	2 x Premium	Pro 1+ 3	44455	495,90
③ Volkswagen T6/T6.1 REIMO Exclusive Product	60 kg	12,5 kg	2	4	-	2 x Premium	Pro S D1+Pro S D2	440223	576,-
④ Volkswagen T / 6.1*	60 kg	9,2 kg	2	4	2	2 x Plus	Pro 1+ 3	440416	439,-
⑤ NEW Volkswagen T5 Pro, Deep Black*	60 kg	13 kg	2	4	2	2 x Premium	Pro S 1+Pro S 3	440851	655,-
⑥ NEW Volkswagen T6/T6.1 Pro, Deep Black*	60 kg	13 kg	2	4	2	2 x Premium	Pro S 1+Pro S 3	440852	655,-

*even with a raised roof

Accessories for Carry Bike Volkswagen T5 & T6/T6.1 Pro	For Carry Bike model	Art. no.	Price
Rail Rail Premium for 3rd/4th wheel	③	441193	85,-
Rail Rail Premium S for 3rd wheel	④ ⑤ ⑥ ⑦ ⑧ ⑨	440690	106,-
2-piece rail kit Rail Premium 48 silver for 4th wheel	④ ⑤ ⑥ ⑦ ⑧ ⑨	440692	66,90
2-piece rail kit Rail Premium 48 Deep Black for 4th wheel	④ ⑤ ⑥ ⑦ ⑧ ⑨	440695	83,-

Carry Bike Backpack - for SUVs, off-road vehicles and multi-purpose vehicles

① 441510

② 441511

407,-



Carry Bike Backpack

The bike rack can be attached quickly and easily to off-road vehicles and vans using the universal straps. Not suitable for rear doors with fiber-glass-reinforced plastic.

Carry Bike Backpack 4x4

Practical bike rack for SUV's, which can be fitted and removed from rear spare wheel in next to no time thanks to practical straps. The hard cover of the spare wheel must be removed for installation.



③ 440419



⑤ 440413

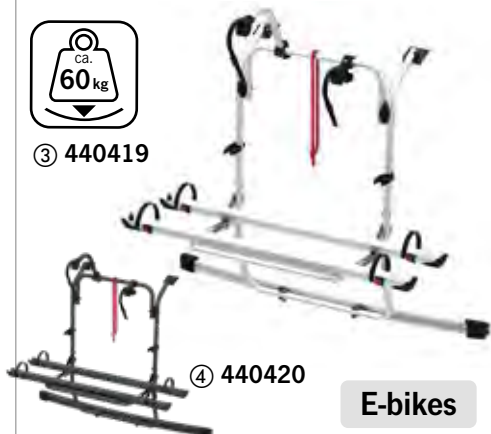
E-bikes



⑥ 440226

E-bikes

1273,-



④ 440420

E-bikes

787,-



Carry - Bike PSA Vans

Suitable for: Citroën Jumpy III gen, Spacetourer, Campster/Vanster (≥2016) / Opel Vivaro C (≥2019), Zafira Life 2019 & Vivaro Life (≥2019) / Peugeot Expert III gen, Traveller (≥2016) / Toyota Pro Ace II, Pro Ace Verso (≥2016).
Also for models with pop-up roof.

Carry - Bike Mercedes-Benz V-Class + Vito (>2014) Premium

- Mounting the support bracket in 2 positions.

In the lowered position, a license plate strip with license plate carrier light group must be mounted.

Carry - Bike Mercedes-Benz V-Class + Vito Lift E-Bike (≥ 2014)

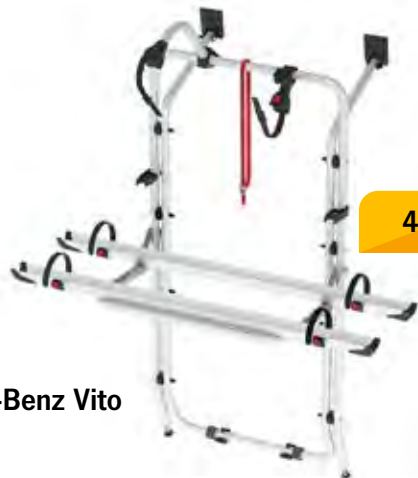
Lowering makes it easy to load and unload bikes. Support bracket can be lowered up to 77 cm. With license plate strip with light group as standard.



E-bikes

⑦ 440405

493,-



For Mercedes-Benz Vito ≤ 2003



⑧ 440871



For Mercedes-Benz Viano and Vito 2004-2014

Model	Max. load	Weight	Number of bicycles	Maximum bicycles	E-bikes	Incl. bicycle rail 128 cm long	Incl. bike block	Art. no.	Price
① Carry Bike Backpack off-road vehicle	50 kg	8 kg	2	3	-	2 x Rail Quick C	Pro 1+ Pro 3	441510	407,-
② Carry Bike Backpack 4x4 off-road vehicle	35 kg	7,8 kg	2	2	-	2 x Rail Strip C	Pro S1+ Pro S2	441511	407,-
③ Carry-Bike PSA Vans Silver	60 kg	11,3 kg	2	4	2	2 x Plus	Pro 1+ Pro 3	440419	574,-
④ Carry-Bike PSA Vans Deep Black	60 kg	11,3 kg	2	4	2	2 x Plus	Pro 1+ Pro 3	440420	634,-
⑤ Carry Bike Mercedes-Benz V-Class ≥ 2014	60 kg	18,3 kg	2	4	2	2 x Plus	Pro S1+ Pro S3	440413	787,-
⑥ Carry Bike Lift E-Bike Mercedes V-Class ≥ 2014	60 kg	20,5kg	2	2	2	2 x Premium	Pro 1+ Pro 3	440226	1273,-
⑦ Mercedes-Benz Vito ≤ 03	60 kg	9,2 kg	2	4	2	2 x Rail Plus	Pro 1+ Pro 3	440405	493,-
⑧ Mercedes-Benz Viano & Vito 2004-2014	50 kg	10,0 kg	2	3	-	2 x Rail Quick	Pro S1+ Pro S3	440871	647,-

Accessories for Carry Bike VW T5 & T6/T6.1 Pro

Rail Rail Premium for 3rd/4th wheel

Rail Rail Quick S for 3rd wheel

Bike Block Pro2

For Carry Bike model

③ ④ ⑤

① ②

① ②

Art. no.

442141

44137

441320

Price

65,-

51,-

23,80

For Renault Trafic, Opel Vivaro and Fiat Talento

Suitable for: Renault Trafic II series / Opel Vivaro A / Vauxhall Vivaro A / Nissan Primastar I-II series (2001-2014 - H1) / Renault Trafic III series / Nissan NV300 / Fiat Talento/Fiat Talento D (2014 - H1) / Opel Vivaro B / Vauxhall Vivaro B (2014-2018 - H1)



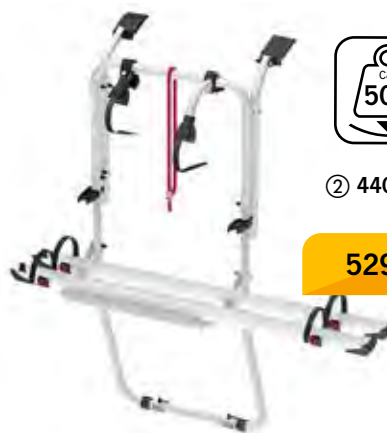
① 440430



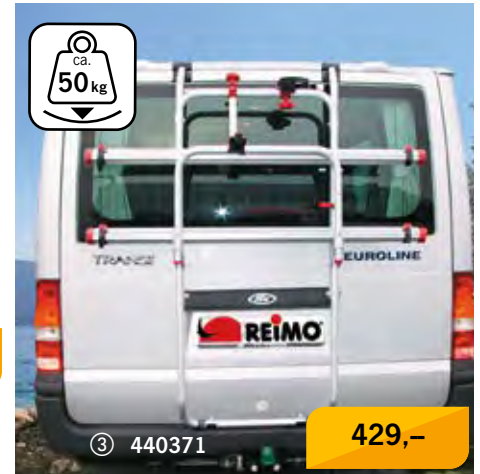
503,-



② 440432



529,-



③ 440371

429,-

Carry - Bike Ford Transit 2000 - 2011

- For mounting on the tailgate
- Secure bike fastening thanks to sturdy RailQuick quick-release fasteners

For vehicles with tailgate

The use of the license plate holder with lighting License Plate Carrier is required.

For vehicles with split rear doors

This structure leaves the vehicle's third brake light unobstructed so that it can be seen by other vehicles.



④ 440408



Ford Transit Custom Nugget/ Nugget Plus with high roof ≥ 2012

The calendared profile, which follows the shape of the vehicle, ensures optimum grip on lower part of the tailgate.



⑤ 440407



589,-

Ford Custom ≥ 2012 - H1

For vehicles with one-piece tailgate & also for models w/ pop-up roof. The calendared profile, which follows shape of the vehicle, ensures optimum grip on lower part of the tailgate.



⑥ 441407



Ford Custom V710 > 2023

Telescopic support bracket made of steel and aluminum. Allows the mounting of the support bracket in 3 positions: Standard, center and bottom (both of the latter require the use of an additional license plate backlight bar).

Allows the tailgate to be opened with the bike rack mounted, without bikes.

Model	Maximum load capacity	Weight	Number of bicycles	Maximum bicycles	E-bikes	Bicycle rail 128 cm long	Included BikeBlock	Art. no.	Price
① Renault Trafic/Vivaro/Talento tailgate	60 kg	9,1 kg	2	4	2	2 x Rail Plus	Pro S1 + Pro S3	440430	503,-
② Renault Trafic/Vivaro/Talento D split door	35 kg	7,3 kg	2	2	2	2 x Rail Plus	Pro S1 + Pro S3	440432	529,-
③ Ford Transit tailgate 2000-2011	50 kg	7,1 kg	2	3	-	2x Rail Quick Pro	Pro S1 + Pro S3	440371	429,-
④ Ford Transit Custom & Custom Nugget Plus Deep Black	50 kg	8,4 kg	2	3	2	2 x Rail Plus	Pro S1 + Pro S3	440408	588,-
⑤ Ford Custom Deep Black > 2012-H1	50 kg	8,6 kg	2	3	2	2 x Rail Plus	Pro S1 + Pro S3	440407	589,-
⑥ NEW Ford Custom V71 > 2023 Deep Black	60 kg	11 kg	2	4	2	2 x Rail Plus	Pro S1 + Pro S3	441407	589,-

Accessories for Carry Bike



Dust Guard

The Dust-Guard is a seal for the Fixing Bar, the Carry-Bike and the ladders Deluxe. Keeps the bars clean.

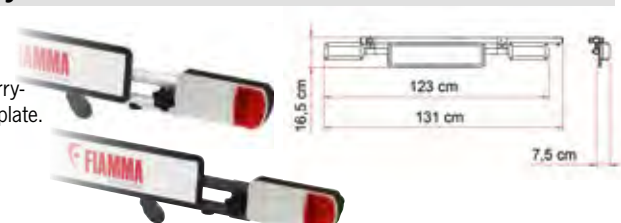
441671

40,-

License plate carrier - License plate lights made of aluminum

These can be easily and safely fitted to the Carry-Bike if the bikes cover the tail lights or license plate. Complete with 13-pin plug and brackets.

Silver 440363 214,-
Deep Black 440373 228,-





EuroCarry Universalbike rack Adventure Rack for Volkswagen Transporter 6/5

- Practical universal carrier
- Universally expandable w/ optional accessories for mounting skis/snowboards, transport box, spare wheel
- They can be mounted without drilling and are therefore quick and easy to install

The carrier is hooked onto top and sides of tailgate using clamping claws and thus fixed and secured.

The base rack can be used as a high loader (height approx. 126 cm) or optionally with lighting strip as a low loader (height approx. 97 cm). Powder-coated aluminum tube in matte black Ø42 m. Outrigger incl. 2/4 aluminum bicycle rails 137 cm, each with 2 wheel shells and 2/4 fastening claws.

Loading: up to 4 bikes/pedelecs or e-bikes possible (max. 2 pieces), max. 60 kg.

App. dims.: W 141 x H 130 x D 57 cm, weight approx. 13,6 - 17,6 kg.

① Universal carrier* Adventure Rack for 2 bikes		
Volkswagen Transporter 6	44560	809,-
Volkswagen Transporter 5	44559	809,-
Universal carrier* Adventure Rack for 4 bikes:		
Volkswagen Transporter 6	44562	999,-
Volkswagen Transporter 5	44561	999,-

* Base frame incl. outrigger

Optional accessories:

Crossbar required for use of additional components		
Cross rack	44563	234,-
② Ski/snowboard holder	44566	299,-
③ Surfkit	42139	244,-
④ Transport box/luggage box	44567	1024,-
⑤ Insert tray for 44559, 44560	44569	455,-
Insert tray for 44561, 44562	44570	445,-
⑥ Lighting rail, black	441841	365,-
Spare wheel holder	44568	558,-



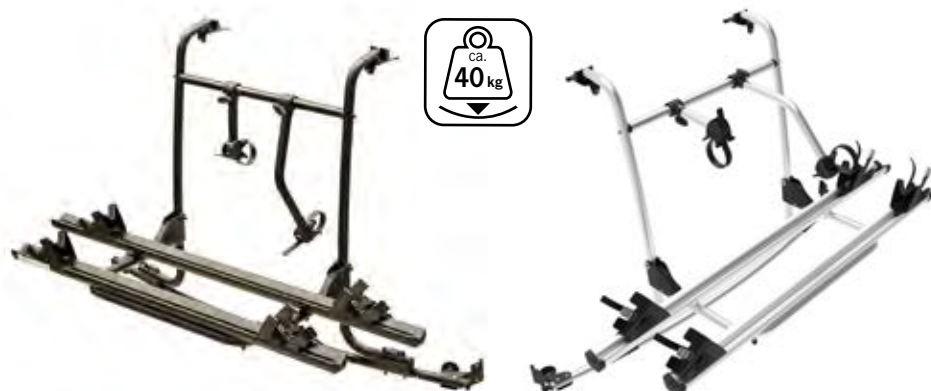
764,-

EuroCarry bike carrier for Ford Transit Custom

- Mounted without drilling
- The carrier is hooked onto the tailgate using clamping claws and fixed and secured at the side using clamping elements
- Simple assembly

Aluminum frame with: 2 aluminum bicycle rails 125 cm long, each with 2 wheel shells and tensioning straps, 2 fastening claws, 2 tensioning brackets, 1 mounting rail with 2 retaining claws. Load: max. 2 bikes suitable for e-bikes, max. 40 kg. Approx. dimensions: W 155 cm, H 95 cm, D 76 cm, weight: approx. 10,8 kg (not suitable for Nugget with high roof, 42037 not for Custom)

Ford Transit Custom black, ≥ 2012	44557	764,-
Ford Transit Custom Anodized, 2000-2013 (not shown)	42037	536,-
NEW Ford V710 >2023	445571	739,-



Euro Carry bike rack

Suitable for: Citroën Spacetourer / Peugeot Traveller / Toyota Proace / Opel Zafira ≥ 2019

- Sturdy aluminum bike rack for 2 bikes
- For attaching to tailgate
- With adjustable wheel chocks
- Robust bicycle fastening claws
- 1x bicycle rail 125 cm + 1x bicycle rail 137 cm

Load capacity: 40 kg, weight: approx. 7 kg		
Silver	441848	568,-
Black	44548	674,-

Bicycle carrier tailgate Thule WanderWay Black for Volkswagen Transporter 6

- Fully assembled and with an exact fit for the Volkswagen T6 for quick and easy installation
- Load capacity can be increased to up to four bikes with adapters (adapters sold separately)
- Easy loading of bikes thanks to easily adjustable rails that slide from left to right
- When the platform is not in use, it can be folded up vertically against the trunk
- The raised position of the carrier maintains the view of the rear lights and license plate
- Trunk can be opened without loaded bikes

Thanks to the precise fit of Thule WanderWay Black, it can be quickly and easily mounted on the Volkswagen Transporter 6. The load capacity is two bikes and can be increased to 4 bikes using adapters. Alternatively, the robust construction can carry two e-bikes w/ a total weight of up to 60 kg.

Max. load per rail: 30 kg (2 bikes) - 20 kg (3 bikes) - 15 kg (4 bikes)

Dimensions: open W 152 x L 111 x H 91 cm, folded W 152 x L 47 x H 91 cm.

Weight: 12,4 kg

Bicycle carrier	443414	649,-
3rd bike adapter	443415	151,-
4th bike adapter	443416	151,-
Fatbike Rail Black (page 469)	44554	112,-



Mounting example

Bike rack rear doors Thule Elite Van XT

Approved by the manufacturer for e.g:
Fiat Ducato / Citroën Jumper / Peugeot Boxer ≥ 2007 / Volkswagen Crafter / Mercedes-Benz Sprinter ≥ 2006 / Ford Transit H3 ≥ 2014

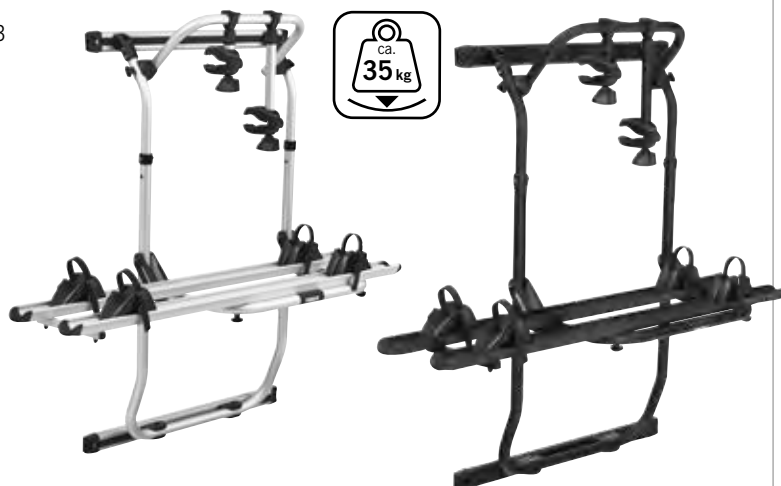
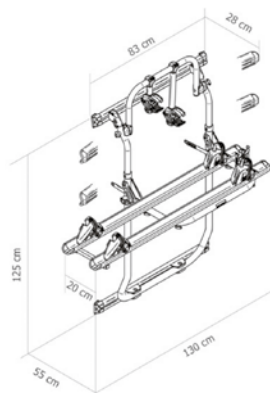
- Door can be opened with loaded bicycles
- Easy and safe loading of bicycles
- Quick to install and easy to remove when not in use
- For 2 bikes, not expandable

The bike rack is attached to the vehicle with clamps and PU adhesive, no drilling required. Spacing between the rails for easier loading of the bikes. Rim straps with ratchet function for convenient fastening of the bikes. Easy attachment of bikes with removable bike retaining arms with lockable Thule AcuTight torque limiter knobs that click when optimum torque is reached. Bicycle platform in 3 height positions. Height-adjustable base frame.

Length of bicycle rails: 126 cm.

For 2 bikes, max. load capacity: 35 kg, max. weight per bike: 19 kg.

Weight: 10,5 kg



Fiat Ducato, Jumper, Boxer ≥ 2007

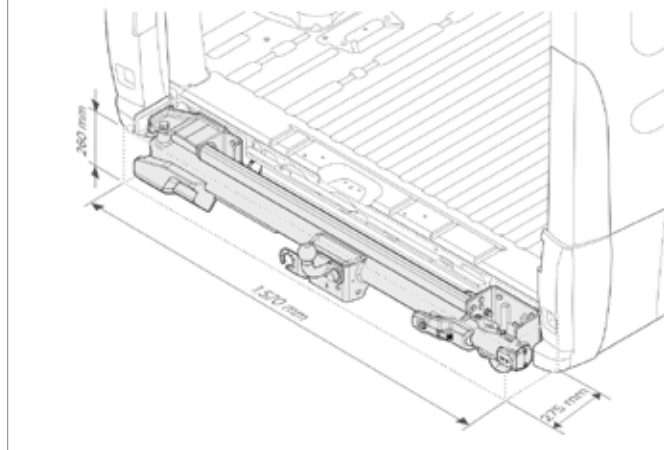
Alu	441980	589,-
Black	441984	629,-

Volkswagen Crafter ≥ 2017, Black	441985	629,-
---	---------------	--------------

Volkswagen Crafter ≤ 2017 / Mercedes-Benz Sprinter ≥ 2006		
Black	443403	629,-

Ford Transit H3 ≥ 2014	441983	629,-
-------------------------------	---------------	--------------

Fatbike-Rail, Black (page 589)	44554	112,-
---------------------------------------	--------------	--------------



Thule VeloSwing

A swivel-mounted e-bike towbar carrier solution

Specially developed for the Fiat Ducato / Peugeot Boxer / Citroën Jumper > 2006 / Opel Movano > 2022 and Toyota Proace Max > 2024

- Rack for chassis mounting
- Complete access to the rear door even with loaded wheels
- Load any desired coupling rack
- Tow heavier trailers, boats and more
- Intuitive operation of the safety interlock

The VeloSwing simply swings to the side so you can reach the rear of your van without having to remove bicycles or other accessories.

The easy handling with color indicator on the permanent safety lock shows you when everything is locked in place.

With this solution for the trailer coupling, you can use the same bike rack or rear box on your leisure vehicle and on your normal car.

The Thule VeloSwing is a certified towbar that allows you to tow trailers or other towbar accessories up to 3.000 kg*.

A pre-cut bumper (sold separately) ensures that everything blends in with the look of your van. Opening range: 95°, max. drawbar load: 150 kg.

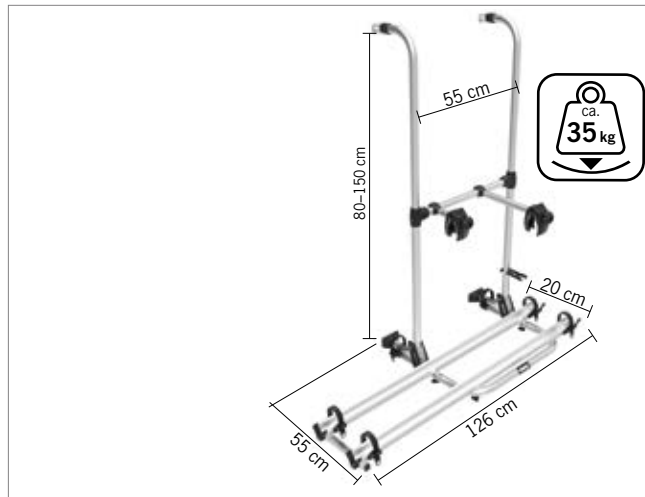
Dimensions: 157 x 60 x 27 cm, weight: approx. 45 kg (after assembly)

Black color **443417** 1999,-

* Note: Please check the towing capacity of your vehicle beforehand

Optional accessories:

- ① VeloSwing Bumper (for vans without parking sensor) **443418** 299,-
- ② VeloSwing Bumper (for vans with parking sensor) **443419** 299,-
- NEW** VeloSwing electric cable set > 2011 **443420** 249,-
- VeloSwing electric cable set < 2011 **443422** 249,-



Thule Sport G2 Compact - for 2 bikes

Compact bike rack, suitable for vans with split rear door & vehicles with curved surfaces. Maximum number of bikes 2, e-bikes not possible, mounting on right or left rear door.

Doors can be opened without removing bikes.

Load capacity: 35 kg, weight: 7,2 kg, mounting height: 80 - 150 cm,

441982 324,-



Thule VeloTrack

The e-bike rack developed for your van

Specially developed for: Fiat Ducato / Peugeot Boxer / Citroën Jumper > 2006 / Opel Movano > 2022 / Toyota Proace Max > 2024

- Hinge-mounted bike rack
- For 2-3 bicycles
- Opening the tailgate even with loaded e-bikes
- Easier loading of bikes due to the lower position on your van
- Long, robust rails for tires up to 3 inches
- Space for larger bike models and heavy e-bikes

The Thule VeloTrack Frame offers safe transportation of 2 e-bikes, or with extension 3 bikes up to 60 kg (adapter for 3rd bike sold separately). No drilling required: the bike rack is glued, clamped onto the rear door and attached to the hinges.

The platform can be mounted at 3 heights. Very practical if you need to load heavy bikes at a lower height.

The stronger, longer rails with a length of 150 cm and a distance of 23 cm between the rails allow larger bikes to be transported.

With the optional Lightboard, you can mount the Thule VeloTrack on your van at the lowest position, making it easier to load heavy bikes. Thule VeloTrack frame, rails and Lightboard are sold separately, so owners of the Thule Elite Van XT can easily upgrade to the Thule VeloTrack.

Dimensions: 68,5 x 165 x 137,5 cm, weight: approx. 24 kg.

Maximum load 60 kg.

Black color

426974

1279,-

Available from March 2025

Optional accessories

Top + bottom mounting rail for Stellantis models

426975

197,-

Extension rail 3rd wheel

426976

117,-

Thule Lightboard Van

426977

294,-

Thule Lightboard Van UK

426978

294,-

Thule ProRide Fatbike Adapter

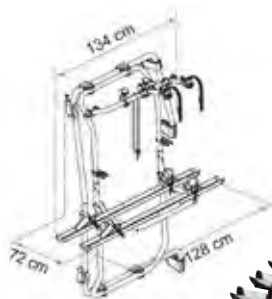
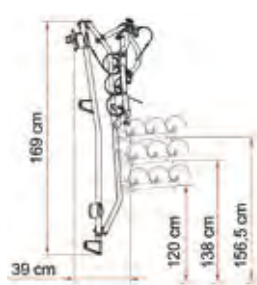
426979

44,-



1279,-





Sprinter e-bike

Sprinter 3 bikes

Mounting the mounting bracket in 3 possible positions: Standard, medium and lowered. Variable distance to the ground depending on vehicle configuration.

Carry Bike Frame bike rack for Mercedes-Benz Sprinter

- Bike rack for Mercedes-Benz Sprinter ≥ 2018 - high roof and super high roof
- W/ stainless steel mounting bracket & structure
- Double version: for transporting 3 standard bikes or 2 e-bikes.
- Mounting the support bracket in 3 positions: Standard, medium and lowered.

Fig:	Model	Maximum load capacity	Weight	Number of bicycles (standard)	E-bike	Bicycle rail	Bike block	Art. no.	Price
①	Sprinter 3 bikes	50 kg	19,7 kg	3	-	Rail Quick Pro	Pro S 1/S2/S3	445308	1262,-
	Sprinter 3 Bikes Deep Black	50kg	19,7 kg	3	-	Rail Quick Pro	Pro S 1/S2/S3	445309	1346,-
	Sprinter E Bike	50 kg	19,7 kg	2	2	Rail Premium	Pro S D1/S D1	445310	1262,-
	Sprinter E Bike Deep Black	50 kg	19,7 kg	2	2	Rail Premium	Pro S D1/S D1	445312	1346,-



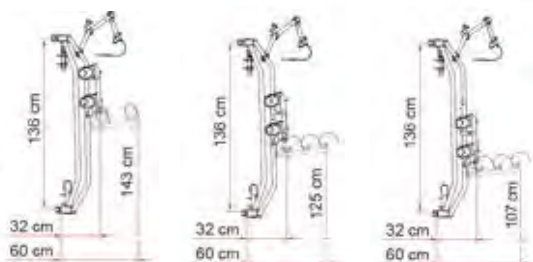
For VW Crafter and Man TGE ≥ 2017 - H3/H4

Carry Bike Frame bike rack for Volkswagen Crafter ≥ 2017 with split rear door

- For transporting 3 bicycles or 2 e-bikes
- Restyling of the structure for better adaptation to vehicle
- Is attached to rear wall of the vehicle
- Mounting the support bracket in 3 positions: Standard, middle and lowered
- For two bikes as standard, can transport up to 3 bikes or 2 e-bikes by adding optional Rail Quick Pro rail and the optional Bike-Block Pro 2

The solid stainless steel frame can be screwed onto standard door hinges. It enables the safe transportation of up to three bicycles or up to two e-bikes. The double rear door can still be opened even when a bike rack is fitted.

Scope of delivery: Bike rack with 3 Rail Quick Pro rails, 1 Bike-Block Pro S 1, Bike-Block Pro S2 + Bike-Block Pro S3. Mounting brackets.



Support bracket in 3 positions

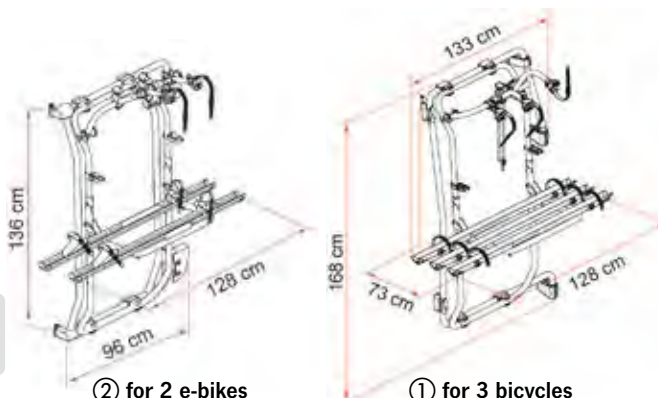


Fig:	Model	Max. load capacity	Weight	Number of bicycles (standard)	E-bike	Bicycle rail	Bike block	Art. no.	Price
①	Volkswagen Crafter 3 Bikes Deep Black	50 kg	19,7 kg	3	-	Rail Quick Pro	Pro S 1/S2/S3	445303	1346,-
②	Volkswagen Crafter E Bike	50 kg	19,7 kg	2	2	Rail Premium	Pro S D1/S D1	445300	1135,-

Kit frame for Sprinter (440474) & Crafter (440474)

Kit frame for Fiat Ducato (440473)

Vehicle-specific mounting frames

Carry Bike Frame bike rack

Carry Bike Frame complete

Bike rack also available in Deep Black

FIAMMA
home is everywhere.

Carry-Bike series Frame - for Fiat Ducato, Mercedes-Benz Sprinter & Volkswagen Crafter

- For 2-3 bicycles or 2 e-bikes
- The geometric alignment of the Carry-Bike allows the rear door of vehicle to be opened even when loaded with bicycles

New handling for the Carry-Bike Frame series: A bike rack & 3 different special frames for each vehicle type, which must be purchased separately.

Bike rack:		
Silver	440426	444,-
Deep Black	440427	539,-
+		
mounting frame for vehicle to be ordered separately:		
Kit Frame DJ Ducato ≥ 06 (H2/H3), silver	440473	857,-
Kit Frame DJ Sprinter ≥ 06/Crafter ≥ 06 ≤ 16 (HD/SHD) Silver	440474	794,-
Kit Frame DJ Crafter ≥ 17 (H3/H4), silver	440475	794,-

LIPPERT

R-BIKE CARRIER

- For a maximum of 2 e-bikes or 3 bikes
- Installation on the vehicle can be carried out without drilling into the door panel

The crossbars are attached to the right-hand rear door using side clips and adhesive. An additional rail for a third bike (not an e-bike) is possible. Maximum load 50 kg

from 509,-

Rail width 1.328 mm

Vehicle model	Dimensions WxHxD mm	Weight	① Color silver Art. no.	Price	② Color black Art. no.	Price
Fiat Ducato H2/H3 ≥ 2007	825 x 1259 x 564	10,0 kg	440302	509,-	440303	669,-
Mercedes-Benz Sprinter H2 ≥ 2020	831 x 1412 x 610	10,5 kg	440304	688,-	440305	688,-
Ford Transit H3 ≥ 2014	847 x 1509 x 610	10,5 kg	440306	594,-	440307	675,-
Volkswagen Crafter H3 ≥ 2017	821 x 1509 x 610	10,5 kg	440308	594,-	440309	657,-
Renault Master H2 ≥ 2014	847 x 1509 x 610	10,5 kg	-	-	440010	620,-

Accessories:

③ 3rd rail, black	4403021	49,-
④ R-Skirun, holder for skis	440311	199,-

Vehicle-specific fastening profiles

Carry-Bike DJ bike rack

Carry-Bike DJ complete

MB Sprinter/VW Crafter 138 cm
Fiat Ducato 130 cm

Carry Bike DJ also available in silver

Carry-Bike Series DJ for 2 bicycles

For Fiat Ducato/Mercedes-Benz Sprinter/Volkswagen Crafter ≥ 06 and Volkswagen Crafter ≤ 16/≥ 17

Allows the support brackets to be mounted in 3 positions: Standard, in the middle and at the bottom (the last two require an additional license plate holder with lighting). New positioning and additional models for the Carry-Bike 200 DJ series.

One structure for all models and special mounting profiles for each vehicle type, which can be purchased separately.

Order mounting profiles for vehicle:

Kit Bars DJ Ducato ≥ 06 Silver	440476	165,-
Kit Bars DJ Ducato ≥ 06 Deep Black	440477	179,-
Kit bars DJ Sprinter ≥ 06/ Crafter ≥ 06 ≤ 16 silver	440478	167,-
Kit bars DJ Sprinter ≥ 06/ Crafter ≥ 06 ≤ 16 Deep Black	440479	189,-
Kit Bars DJ Crafter ≥ 17 Silver	440480	169,-
Kit Bars DJ Crafter ≥ 17 Deep Black	440481	189,-
Kit Bars DJ Transit ≥ 14 Silver	440482	169,-
Kit Bars DJ Transit ≥ 14 Deep Black	440483	189,-

+ Carry Bike DJ bike rack:

Silver	440423	381,-
Deep Black	440424	438,-

Carry-Bike 200 DJ for panel van with split rear door

- For 2 bicycles
- For the right-hand rear door
- Mounting with fixing bar

For Fiat Ducato II / Citroën Jumper / Peugeot Boxer I (≥ 2000 ≤ 2006 - H2) / Mercedes Sprinter, series / Mercedes Benz T1N (≥ 1995 ≤ 2006 - H2)

Load capacity: 35 kg, weight: 9 kg

Scope of delivery: Bike carrier, 2 Premium 128 cm bike rails, 1 Bike Block Pro S1 + Pro S3 each

440368 549,-

Carry-Bike 200 D for older panel vans with split rear door

- For 2 bicycles
- For the right-hand rear door

Fiat Ducato & Peugeot J5 ≤ 1999, Ford Transit (standard/raised roof), Mercedes MB 100, Citroën Jumper & Peugeot Boxer, Citroën C25 ≤ 1999, VW LT (standard & raised roof). Upper bracket only 34 mm wide, installation w/ drilling & screws. Load cap.: 35 kg, weight: 6,9 kg.

Scope of delivery: Bike carrier, 2 bike rails Quick Pro 128 cm, 1 Bike Block ProS1 + Pro S2 each

440414 419,-

Easy Dry tumble dryer for rear carrier

- Can remain mounted while driving
- Foldable, travel possible when closed
- Replaces at least 8 m of washing line

Tumble dryer for mounting on support bracket of many bike racks (tube Ø 35 mm). Simple installation without drilling, as end pieces snap into place on support bracket. Folding frame made of anodized aluminum. Can remain mounted while driving. Weight approx. 1,2 kg.

440662 107,-

License plate light License Plate

Necessary with lowered support bracket if bikes cover vehicle rear lights or license plate. With 13-pin socket. Weight approx. 2 kg Dims.: L 131 x H 16,5 x D 7,5 cm

Silver	440363	214,-
Deep Black	440373	228,-

Choose the mounting rail model that is best suited to your bikes and meets your requirements. They can all be adapted to all Carry-Bike models!

Rail Plus bicycle rail - 128 cm long
Bicycle rail Rail Plus XL - 139 cm long

Rail Plus, the new bicycle rail that promises special torsional strength and rigidity thanks to its geometry, making it technically even more efficient. More space for transporting bicycles of all kinds.



Rail Plus Silver	440537	57,-	Rail Plus Deep Black	440538	65,-
Rail Plus XL Silver	440539	65,-	Rail Plus XL Deep Black	440540	73,-



Bicycle rail Rail Premium - 128cm long

Push the support against the tire of the bike and tighten the strap. Together with the rubber support, the bike is securely fixed to the rail.

Silver rail	442141	65,-
Rail Deep Black	441193	85,-

Bicycle rail Rail Premium XL - 139cm

Silver rail	441192	88,-
Rail Deep Black	441194	96,-

Bicycle rail Rail Premium S - 128 cm long

Rail can be moved lengthwise and crosswise. The distance between the bike rails can be varied. With locking blocks for the rims and quick-release straps.

Silver rail	440690	106,-
Rail Deep Black	440600	117,-

Bicycle rail Rail Premium S Fat Bikes 128 cm long - 40 cm extended strap

Tire thicknesses of up to 4,8 inches, strap extended by 40 cm to 5 inches on Fiamma bike carriers.

Silver rail	440691	115,-
Rail Deep Black	440694	125,-



2
PIECE

Bicycle Rail Kit Rail Premium 48 - 47,5 cm long Additional 4th rail for the Carry-Bike VW T5 Pro and T6 Pro bike rack models.

Silver rail	440692	66,90
Rail Deep Black	440695	83,-

Bicycle rail Rail Quick Pro - 128cm long

Robust and reinforced rail with double bottom with two Quick-Safe straps.

End caps black	44426	54,-
End caps grey	44429	56,-

Bicycle rail Rail Quick C with quick-release fastener - 101-167 cm long

End caps red	44137	51,-
---------------------	--------------	-------------



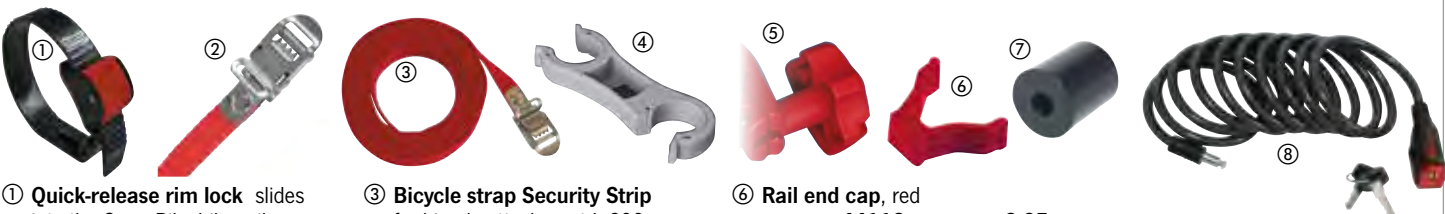
Kit Upgrade E-Bikes - 128cm long Now you can convert your Carry-Bike Pro, Pro M or Pro C (< 2023) into a bike carrier for e-bikes by purchasing new Kit Upgrade E-Bike.

440040	239,-
---------------	--------------

Kit Premium S Kit for converting the Rail Quick and Premium rails into Premium S rails. The rails can thus be moved vertically and horizontally and adapt to dimensions of different bike models.

Black	440696	39,-
--------------	---------------	-------------

Bicycle straps and accessories for Carry Bike



① Quick-release rim lock slides into the Carry-Bike bike rails
44128 **6,95**

② Rim fastening straps
Stainless steel buckle. 2 pieces
Length 39 cm, red
44237 **10,60**
Black **442377** **10,-**

③ Bicycle strap Security Strip for bicycle attachment L 200 cm
442378 **9,90**

④ Bracket
Fixing the frame to the beam
44236 **12,50**

⑤ Knurled nut For Bike Block
44117 **8,95**

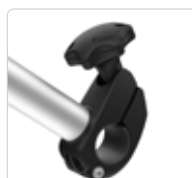
⑥ Rail end cap, red
44118 **8,95**

⑦ Spacers
For mounting bike racks + awnings
Dims.: 28 x 24 x Ø 8,4 mm (hole)
A5408453 **7,50**

⑧ Cable lock Steel cable for securing bikes on the rack. PVC-coated with steel lock and 2 keys in black, length 2,5 m
44127 **29,90**



Security hole: Allows the use of an anti-theft cable when attaching the bikes

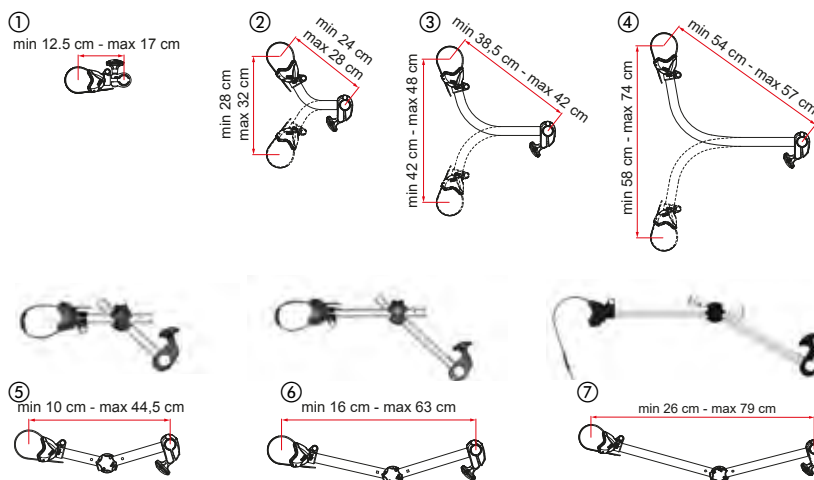


Bike attachment Bike-Block Pro S / S D

- Easy-to-grip fastening of the knurled screw
- Color in silver/black or completely in Deep black
- Deep Black = tubes black
- Round & oval tubes 25-100mm

The wheels are securely fastened with the Quick-Clip quick-release fastener.

Suitable for many bikes. Also for oval tubes. ϕ 25-100 mm



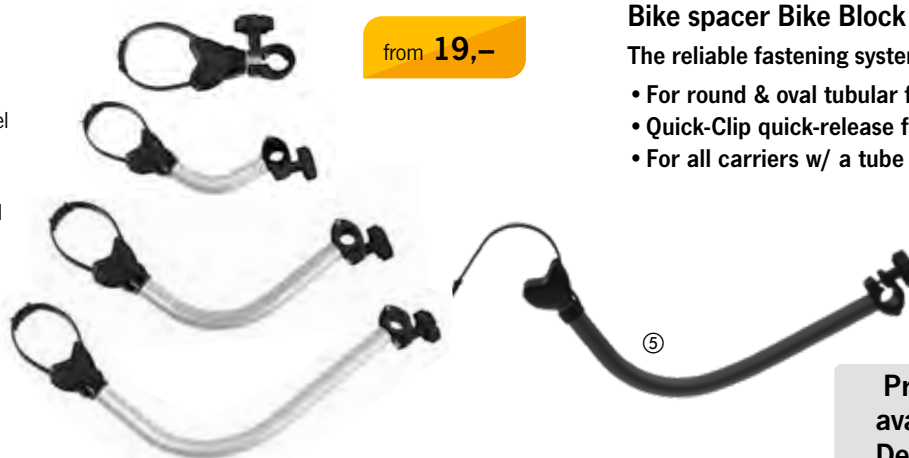
BikeBlock	Silver	Price	Deep Black	Price
① Pro S1	440653	21,90	440654	24,90
② Pro S2	440655	28,90	440656	32,50
③ Pro S3	440657	30,30	440658	33,60
④ Pro S4	440659	32,70	440660	36,10
⑤ Pro S D1	440663	48,20	440664	49,-
⑥ Pro S D2	440665	50,10	440666	50,80
⑦ Pro S D3	440667	51,90	440668	53,60

① **Pro 1** for 1st wheel
Length: 12,5 cm

② **Pro 2** for 2nd wheel
Length: 23 cm

③ **Pro 3** for 3rd wheel
Length: 38 cm

④ **Pro 4** for 4th wheel
Length: 53,5 cm



Bike spacer Bike Block Pro

The reliable fastening system for your bikes

- For round & oval tubular frames from 25-100 mm
- Quick-Clip quick-release fasteners for bicycle frame
- For all carriers w/ a tube diameter of 28-40 mm

Pro 4 also available in Deep Black



⑤ **Bike Frame Adapter:** Secure fastening thanks to additional bar between saddle & handlebars

441512 38,70

		Silver bar & choice of color for end caps/buttons					
BikeBlock	Length cm	Red	Price	Blue	Price	Grey	Price
① Pro 1	12,5 - 17,0	44131	19,-	441310	19,-	441300	19,-
② Pro 2	24,0 - 28,0	44132	23,80	441320	23,80	441301	22,80
③ Pro 3	38,5 - 42,0	44133	24,60	441304	24,60	441302	25,70
④ Pro 4	54,0 - 57,0	44134	26,90	441340	27,90	441303	26,90



TRIGO-VAN rear carrier system - suitable for Fiat, Peugeot and Citroën > year 2006

INNOVATIVE OPERATING CONCEPT:

- Ergonomic design
- Effortless swiveling of the loaded carrier
- Light carrier with automatic folding function
- Locks into place automatically: Thanks to the newly developed locking mechanism.
- Swivel function with stop protection for the right-hand door
- Free access to the rear doors at all times, even when loaded, thanks to the 100 degree opening angle
- Folding carrier including fixing option

TESTED QUALITY:

- Designed, developed and tested according to industrial quality standards
- Made from high-quality materials
- Specialized and long-standing know-how in the field of load carriers
- Produced in Germany

80 kg load capacity for up to 3 e-bikes, bicycles or 2 fat bikes

Own weight approx. 50 kg

Optional or existing trailer coupling can be used without restriction when the carrier is folded up

Tire width for standard bike rails 20 - 80 mm, for fat bike rails 80 - 130 mm

Set-up kits (price includes standard mount)	Standard lights	Price	LED lights	Price
Complete system for 2 bicycles/e-bikes, without mounting	440801	1890,-	440802	1999,-
Complete system for 3 bicycles/e-bikes, incl. set-up kit for sliding bicycle rail 1888010, without assembly	440803	1990,-	440804	2099,-
Complete system for 1 bike + 1 fat bike, without assembly	440805	1890,-	440806	1999,-
Complete system for 2 fat bikes, without mounting	440807	1999,-	440808	2099,-

Accessories	Art. no.	Price
Armor kit for sliding bicycle rail (necessary for unrestricted use of the trailer coupling)	440809	85,-
Set of marker lights (necessary for vehicles with excess length)	440810	108,-
Ramp for bicycle rail with 1.250 mm length	440811	35,-

Please order electric cable set separately. Tire widths for standard bike rails 20 - 80 mm, for fat bike rails 80 - 130 mm.

Now also for Mercedes-Benz, Volkswagen Crafter and MAN-TGE

NEW



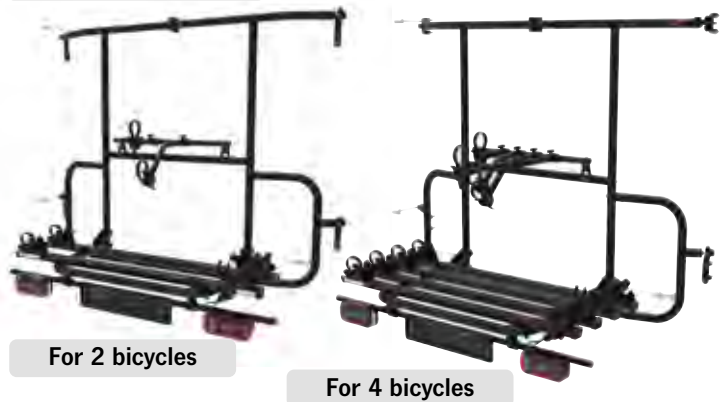
EuroCarry universal carrier Adventure Rack

- Practical universal rack for many vehicle models
- Can be extended w/ optional accessories for mounting bicycles, skis/snowboards, transport box, spare wheel, surfboard
- They can be mounted without drilling and are therefore quick and easy to install

The bracket is attached to the mounting points of the door hinges. Powder-coated aluminum tube in matte black Ø42 mm. Outrigger incl. 2/4 aluminum bike rails 137 cm, each with 2 wheel trays, ratchet straps, fastening claws, lighting strip and cross brace. Loading: up to 4 bicycles/pedelecs or e-bikes possible (max. 2 pieces), max. 60 kg. Loading height 67 cm. Approx. dimensions: W 182 x H 151 x D 76/91 cm, weight ca. 22,5/27,5 kg.

Accessories (illustrations on page 456)

Ski/snowboard holder	44566	299,-
Surfkit	42139	244,-
Transport box/luggage box	44567	1024,-
Insert tray for 44564	44569	455,-
Insert tray for 44565	44570	445,-
Reserveradhalterung	44568	558,-



For 2 bicycles

For 4 bicycles

Vehicle model	For 2 bicycles		For 4 bicycles	
	Item no.	Price	Item no.	Price
For Fiat Ducato, Peugeot Boxer, Citroën Jumper ≥ 2006 (not for 270° doors):	44564	1662,-	44565	1873,-
NEW For Mercedes-Benz Sprinter ≥ 07/2006, Volkswagen Crafter 2006-2016	44603	1663,-	44604	1874,-
For MAN-TGE / Volkswagen Crafter ≥ 2016	44605	1663,-	44606	1873,-



from 553,-

Illustration shows item 44540

EuroCarry for Fiat Ducato, Peugeot Boxer and Citroën Jumper ≥ 7/2006, Mercedes-Benz Sprinter / Volkswagen Crafter and Renault Master ≥ 2010

- For 2 bicycles, easy to load
- Loading height approx. 1 m (in conjunction w/ a lighting strip)
- The rear doors can be opened w/ the carrier fitted

The base carrier can be used as a high loader or as a low loader with the optionally available lighting strip. Max. load 35 kg, weight 11,0 kg. Dims.: W 139 x H 134 x D folded up 25, unfolded 57 cm.

Scope of delivery:

Bicycle carrier w/ 2 bicycle rails 125 cm each with 2 wheel trays and 2 tension belts, 2 fastening claws (19 and 42 cm) and 2 tension rails for mounting on vehicle.

Lighting strip

With license plate repetition (additionally required if you use the carrier as a low loader), fits all Eurocarry bike carriers. **Silver**440791 263,- **Black** 441841 365,-

Vehicle model	Color silver		Black color	
	Item no.	Price	Item no.	Price
For Fiat Ducato, Peugeot Boxer, Citroën Jumper ≥ 07/2006	44546	553,-	44547	660,-
For Mercedes-Benz Sprinter ≥ 2018	44540	553,-	44541	660,-
Volkswagen Crafter ≥ 2016	44551	553,-	44552	660,-
For Ford Transit >2014	44600	553,-	44601	660,-
For Renault Master ≥ 2010	44572	553,-	44573	660,-



EuroCarry bike carrier for Fiat Ducato / Peugeot Boxer / Citroën Jumper and Mercedes-Benz Sprinter 1994-2006

- Made of aluminum, approx. 9 kg light
- For attaching to the rear door
- With adjustable rim mountings
- Robust frame mounts for a max. of 2 bikes

Load capacity 40 kg, weight 9 kg

Scope of delivery: base frame made of anodized aluminium tube, 2 aluminum bicycle rails 125 cm each with 2 wheel shells and 2 tension belts, 2 fastening claws, 2 tension rails for mounting on the vehicle

44029 511,-

EuroCarry bike rack for Fiat Ducato / Peugeot Boxer / Citroën Jumper > 7/2006 / Mercedes-Benz Sprinter ≥ 06/2006 / Volkswagen Crafter ≥ 2006 and Renault Master ≥ 2010

- Completely pre-assembled! Installation without drilling on existing holes of door hinges
- Short assembly time
- To open the rear doors, the bike rack can be swiveled sideways to the right (max. door opening 90°, not for 270° doors)

The loading height in basic version is 1,39-1,47 m, depending on the vehicle. Dims.:

W 177 x H 116 x D folded up 25/unfolded 76/90 cm
Powder-coated aluminum tube in matt black, Ø 42 mm

Fiat Ducato, Peugeot Boxer & Citroën Jumper ≥ 07/2006

- ① For 2 wheels, weight: 17,1 kg 44550 1336,-
- ② For 4 wheels, weight: 22,1 kg 44542 1577,-

MB Sprinter ≥ 06/2006 & VW Crafter 2006-2016

- ① For 2 wheels, weight: 15,9 kg 44533 1049,-
- ② For 4 wheels, weight: 21,0 kg 44532 1297,-

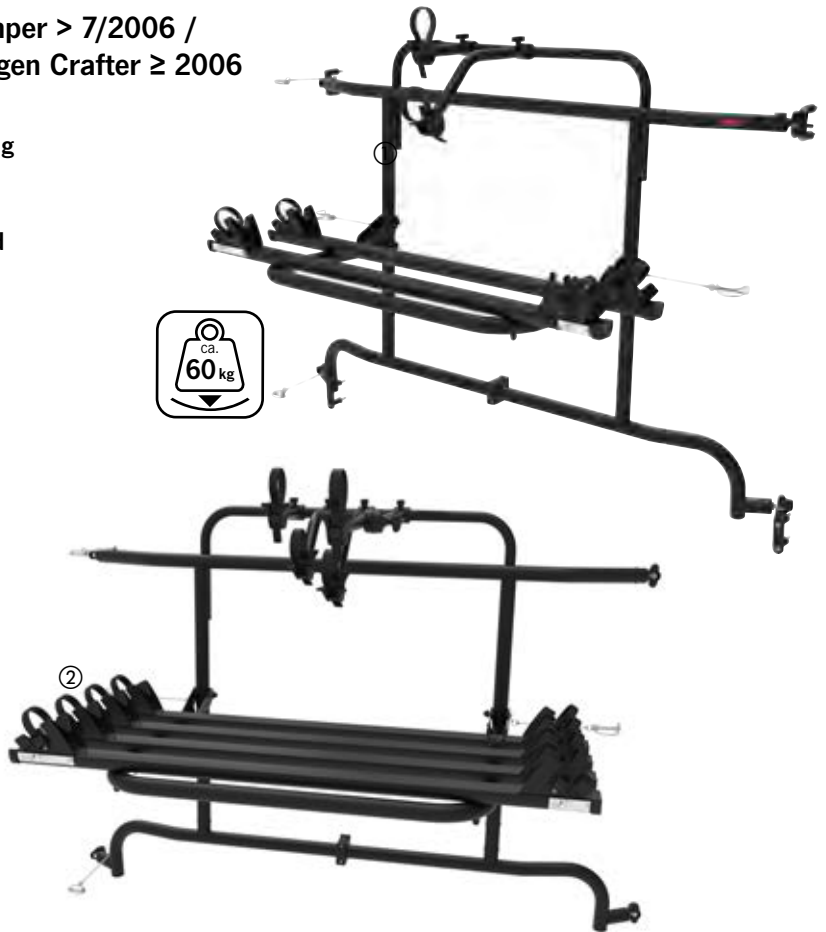
Volkswagen Crafter ≥ 2016

- ① For 2 wheels, weight: 16,4 kg 44537 1336,-
- ② For 4 wheels, weight: 21,5 kg 44536 1577,-

Renault Master ≥ 2010 incl. lighting strip

- ① For 2 wheels, weight: 19,1 kg 44574 1663,-
- ② For 4 wheels, weight: 24,0 kg 44575 1905,-

Lighting strip, black 441841 365,-



EuroCarry electrically lowerable for Fiat Ducato / Mercedes-Benz Sprinter / Volkswagen Crafter

The rail jib can be lowered electrically to a comfortable loading height (the adjustment range is 110 cm!)

Fiat Ducato, Peugeot Boxer & Citroën Jumper ≥ 07/2006

- for 3 wheels, black/anodized 44544 3411,-
- for 2 wheels, black/anodized 44545 3179,-

MB Sprinter ≥ 06/2006 & Volkswagen Crafter 2006-2016

- for 3 wheels, black/anodized 44534 3365,-
- for 2 wheels, black/anodized 44535 3147,-

Volkswagen Crafter ≥ 2016

- for 3 wheels, black/anodized 44538 3411,-
- for 2 wheels, black/anodized 44539 3179,-

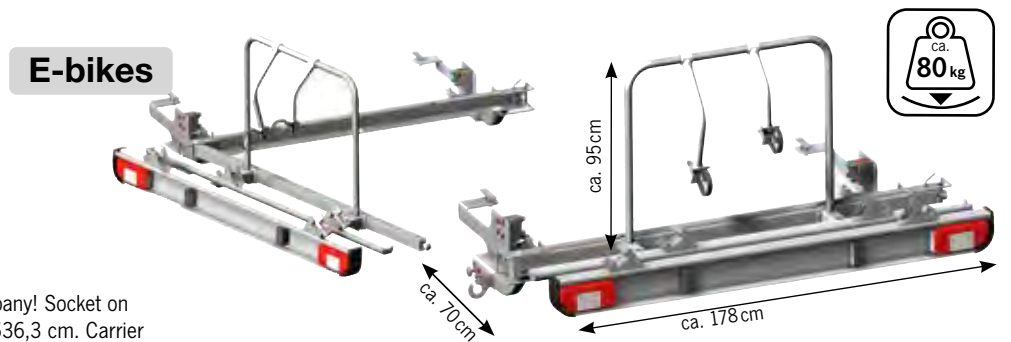


Fig. shows art. 44535

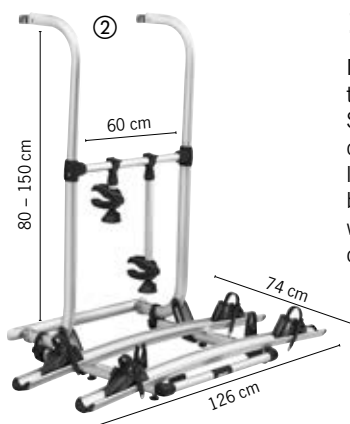
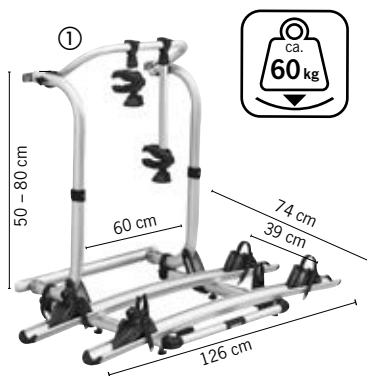
Euro Carry e-bike carrier for Fiat Ducato / Citroën Jumper / Peugeot Boxer ≥ 2006

- Mounting on the vehicle chassis
- The carrier can be folded up
- Can also be swiveled away from vehicle when loaded
- Mounted with the supplied adapter
- For 2 e-bikes, max. load 80 kg

Installation only by an authorized specialist company! Socket on vehicle required. Not suitable for vehicle length 636,3 cm. Carrier weight: 23 kg, adapter weight: 22 kg 44351 2099,-



Thule Elite G2 for motorhome and caravan rear wall - for a maximum of 4 bikes



Elite G2 One Bike - for 1 bike

Model with shorter platform for transporting only one bicycle. Specially developed for the needs of caravan users. Enables even loading of the caravan with two bicycles: one bicycle on the rear wall of the vehicle and one bicycle on the towbar.



Model	Max. load	Weight	Number of bicycles	Maximum bicycles	E-bikes possible	Sliding rails	Mounting height	Art. no.	Price
① Thule Elite G2 Short	60 kg	9,5 kg	2	4	yes	right-left	50 - 80 cm	44346	419,-
② Thule Elite G2 Standard	60 kg	10,1 kg	2	4	yes	right-left	80 - 150 cm	44345	419,-
Thule Elite G2 Hymer	60 kg	10,1 kg	2	4	yes	right-left	80 - 150 cm	44347	419,-
③ Thule Elite G2 One Bike	30 kg	6,7 kg	1	1	yes	right-left	80 - 150 cm	442900	399,-



Safety belt for wheels

For securing bikes and the bike rack while driving. Tensioning strap with steel insert and belt buckle protected by a rubber cover. Length: 3,00 meters

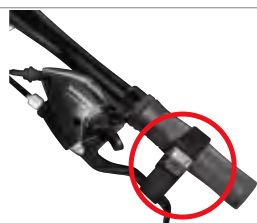
442791 53,-



Cable Lock cable lock

Lockable cable lock for securing bicycles and bicycle carriers with lock and 2 keys. Length: 180 cm.

442790 51,-



Brake Straps - brake lever straps

Tie the straps around the bike's brake levers to prevent lateral movement during transportation. Length: 46,5 cm each

6 pieces 44279 21,-



Frame protector for carbon bikes

Adapter for the safe transportation of bicycles with carbon frames. The clamping force of the fastener is distributed over a large area to minimize the risk of damage to the frame.

442793 29,-

Additional bar between seat post & handlebars

Bracket for ladies' bikes

For better attachment of bike holders to the carrier. Also suitable for bikes with special frame geometry and women's bikes. Adjustable bar length.

442792 38,-



Bike Holder spacer

- Rotatable in all directions
- With hole for cable lock to secure the bikes
- Padded fastening

- ① 1st wheel, 140mm, Ø 25 - 90mm silver 44260 34,-
- ② 2nd wheel, 280mm, Ø 25 - 90mm silver 44261 37,-
- ③ 3rd wheel, 420mm, Ø 25 - 90mm silver 44262 42,-
- ④ 4th wheel, 560mm, Ø 25 - 90mm silver 44263 46,-

Bike Holder spacer

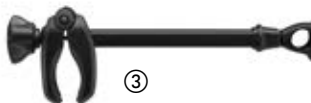
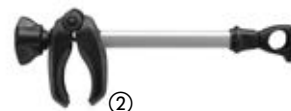
- ① 2nd wheel, 28 cm Black 442697 44,-

Bike Holders with AcuTight Lock

Easy attachment of bikes with detachable bike support arms with lockable Thule AcuTight torque limiter knobs that "click" when the optimum torque is reached.

- ② Color silver anodized:
 - Bike Holder 1 443404 44,-
 - Bike Holder 2 443405 56,-
 - Bike Holder 2.5 443406 58,-
 - Bike Holder 3 443407 64,-
 - Bike Holder 4 443408 48,-

- ③ Color black:
 - Bike Holder 1 443409 47,-
 - Bike Holder 2 443410 58,-
 - Bike Holder 2.5 443411 60,-
 - Bike Holder 3 443412 66,-
 - Bike Holder 4 443413 50,-

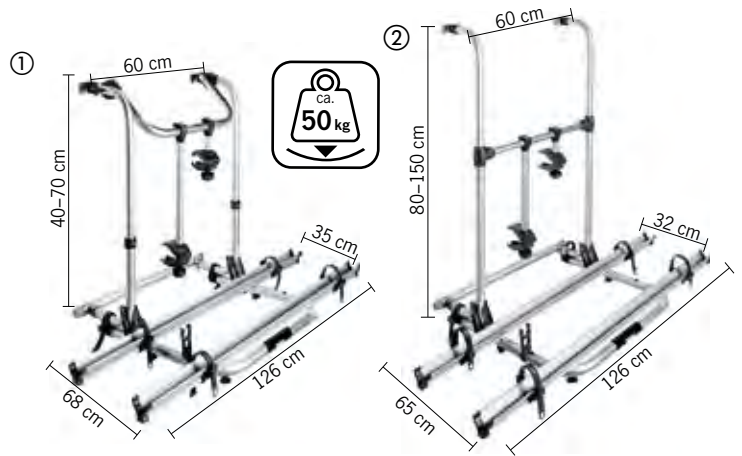


Thule Sport G2 for motorhome and caravan rear wall - for a maximum of 3 bikes

Designed for stable and durable attachment to the rear wall of a motorhome or caravan. Lockable rail bracket: This prevents the bikes from moving during transportation and is fixed manually.

Fits all existing attachment points and rails (except Hymer). With the optional third rail and bicycle clamp, the carrier can hold up to 3 bicycles.

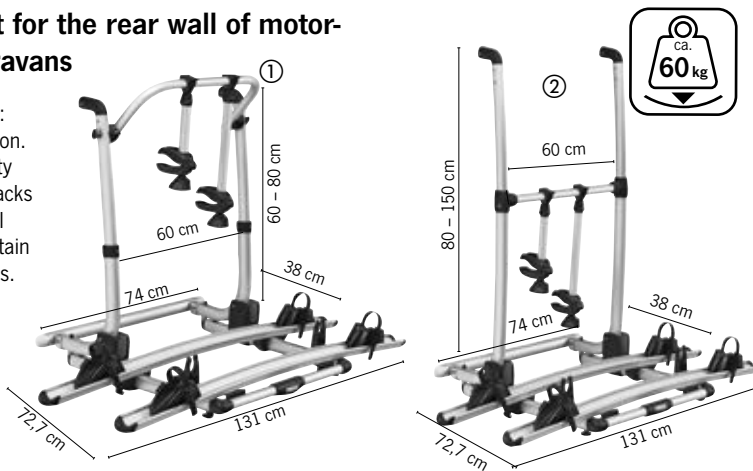
The Sport G2 Short has a shorter distance between the attachment points.



Model	Max. load capacity	Weight	Number of bicycles	Maximum bicycles	E-bikes possible	Sliding rails	Mounting height	Art. no.	Price
① Thule Sport G2 Short	50 kg	7,9 kg	2	3	+ accessories E7410	right-left	40 - 70 cm	44296	294,-
② Thule Sport G2 Standard	50 kg	8,2 kg	2	3	+ accessories E7410	right-left	80 - 150 cm	44295	294,-

Thule Excellent for the rear wall of motorhomes and caravans

Available in 2 versions: standard & short version. Thanks to load capacity of up to 60 kg, both racks are suitable for normal bikes as well as mountain bikes and electric bikes.



Model	Max. load	Weight	Number of bicycles	Maximum bicycles	E-bikes possible	Art. no.	Price
① Thule Excellent Short	60 kg	10,6 kg	2	4	yes	44265	529,-
② Thule Excellent Standard, silver	60 kg	10,6 kg	2	4	yes	44264	529,-
Thule Excellent Standard, black	60kg	10,6 kg	2	4	yes	442641	569,-

Thule Esse4 CD for 3 bikes



Basic equipment:

3 bicycles

Extension to 4 bikes possible

Assembly for Carado, Sunlight and Dethleffs.

The bike rack has been specially adapted for Sunlight motorhomes from 2015 onwards.

Mounting height: 80 - 150 cm. Weight: 10,4 kg

44327 379,-

Extension set 4th wheel

Rail + adapter + spacer

443271 112,-

Extension kit for Elite G2 + Excellent



3rd wheel extension kit for Thule Elite G2

Rail and spacer, weight 3 kg 44348 102,-

3rd wheel extension kit for Thule Excellent

Rail and spacer, silver. Weight 3 kg 44266 112,-

Rail and spacer, black 442661 117,-

Extension set 4th wheel for Thule Excellent / Elite G2

Rail and spacer, silver. Weight 3 kg 44267 122,-

Rail and spacer, black. Weight 3 kg 442671 127,-

Replacement rail "Fatbike Rail" for Sport G2, Excellent, Superb + WanderWay

Fatbike Rail for Thule WanderWay

Length: 147,5 cm, height 9 cm, weight: 174 g

44554 112,-

Fatbike Rail for Thule Sport G2 + Excellent

Length: 147,5 cm, height 12 cm, weight: 170 g

44555 112,-

Fatbike Rail for Thule Superb

Length: 2 x 57,5 cm, height 9 cm, weight: 144 g

44556 112,-

Extension kit for Sport G2 + Sport G2 Garage



3rd wheel extension kit for Thule Sport G2

Rail and spacer, weight 3 kg 442981 82,-

Extension kit 4th wheel for Thule Sport G2 Garage

Rail and spacer, weight 3 kg 442982 92,-

Mounting rails for Thule bicycles

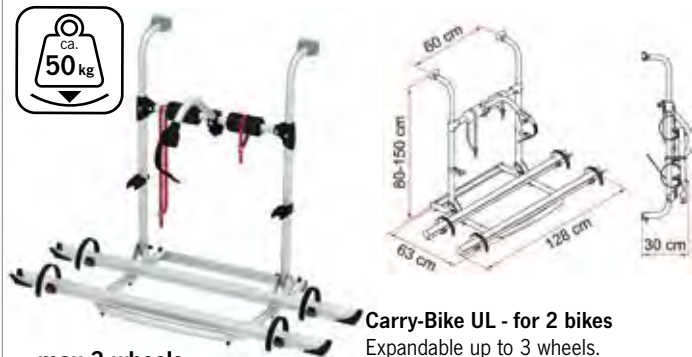
Mounting rail

The bike rack can now be easily removed from the rear wall and e.g. attached to another motorhome

Fits Thule bike carriers Excellent, Elite G2, and Sport G2 long+short.

Upper mounting rail, weight 2 kg 44268 44,-

Lower mounting rail, weight 2 kg 442681 47,-



max 3 wheels

Carry-Bike UL - for 2 bikes
Expandable up to 3 wheels.
For the rear wall of the motorhome
Weight: 5,6 kg **44073 288,-**



Carry-Bike L series - lightweight yet robust

For 2 bikes as standard. Can be extended up to 3 bikes. High load capacity up to 50 kg. Rail-Quick Pro bike rails with high-quality quick-release fasteners. The bikes are attached to the frame with 2 bike blocks.

Carry-Bike UL: for the rear wall of the motorhome,
Carry-Bike CL: is fitted under the window.

Scope of delivery: 1 basic rack, 2 Rail-Quick bike rails, 1 Bike Block Pro S3, 1 rack holder, 1 strip, 1 security strip.

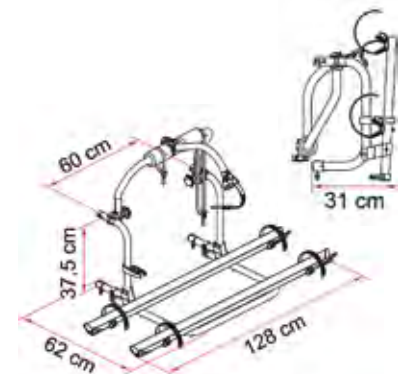
Accessories:

For 3rd wheel you need: 1 Rail Quick Pro	44426	54,-
Bike Block 3rd bike Pro 2	44133	24,60



max 3 wheels

Carry-Bike CL- for 2 bikes Expandable up to 3 bikes.
For mounting below the window Weight: 5,6 kg **44074 288,-**



For Trigano - Roller Team

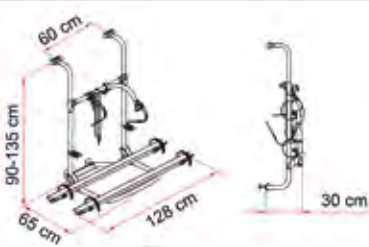
- For 2 bicycles
- Max. 3 wheels expandable
- Load cap. 50 kg

Special version

Special version for attachment to Fiamma bracket already fitted to the vehicle ex works

Scope of delivery: carrier, 2 bike rails Rail-Quick Pro, 1 bike spacer Bike Block Pro S3 each, weight: 5,2 kg

44448 274,-



For Hymer & Dethleffs motorhomes

- New, improved version
- For 2 bicycles
- Expandable up to max. 4 wheels
- Load capacity 60 kg

① **Carry-Bike PRO Hymer**

For Hymer adapters. Plastic parts

Scope of delivery: Carrier, 2 adapters for Hymer, 2 Rail-Quick bike rails, 2 Bike Block Pro S2 + Pro S3, two rack holders, 1 security strip.

Weight: 8,2 kg **440637 390,-**

② **Kit for Dethleffs motorhomes,**
2 upper adapters

until 2010	440721	37,10
from 2010	440722	39,70



Carry-Bike PRO

With height-adjustable structure for heights between 80 and 150 cm



Rail Plus:
New design for higher torsional & flexible strength



Telescopic support bracket:
Aluminum, light and oval profile, increased safety



Tubes:
Aluminum 6060, oval cross-section

Carry-Bike PRO series - for 2 to 4 bikes or 2 e-bikes

- Aluminum tubes with oval cross-section
- Height-adjustable frame
- For transporting up to 4 standard bicycles or 2 e-bikes
- New Rail Plus rails

The new Pro series makes it possible to unify standard and e-bike models thanks to introduction of oval tubes and Rail Plus rail, both of which are structurally more efficient

Scope of delivery: 1 basic rack, 2 bike rails (see table), 1 Bike Block Pro 1 + Pro 3 each, 1 rack holder, 1 security strip.

Carry-Bike PRO C

This Carry-Bike is more compact & height adjustable for heights between 40 cm & 80 cm. Suitable for motorhomes w/ rear windows.



Model	Max. load capacity	Weight	Number of bicycles	Maximum bicycles	E-bikes	Incl. bicycle rail 128 cm long	Incl. bike block	Art. no.	Price
① Carry Bike PRO	60 kg	10,2 kg	2	4	2	2 x Plus	Pro S1 + Pro S3	440409	387,-
Carry Bike PRO N* (without illustration)	60 kg	10,2 kg	2	4	2	2 x Plus	Pro 1 + Pro 2	440410	351,-
② Carry Bike PRO C deep black	60 kg	9 kg	2	4	2	2 x Plus	Pro S1 + Pro S3	440623	426,-
③ Carry Bike PRO C aluminum	60 kg	7,4 kg	2	3	2	2 x Plus	Pro S1 + Pro S3	440411	387,-
Carry Bike PRO CN* (not shown)	60 kg	7,4 kg	2	3	2	2 x Plus	Pro S1 + Pro S3	440412	351,-

* Version without brackets, for vehicles with pre-installed Fiamma brackets.

Accessories: For the 3rd & 4th wheel you need:

1 Rail Quick Pro rail at a time	44426	54,-
One Rail Plus rail each for Carry Bike ① and ③	440537	57,-

Frame attachment for the bicycle

Bike Block 3rd wheel Pro 2 black	44132	23,80
Bike Block 4 Bike Pro 4	44134	26,90



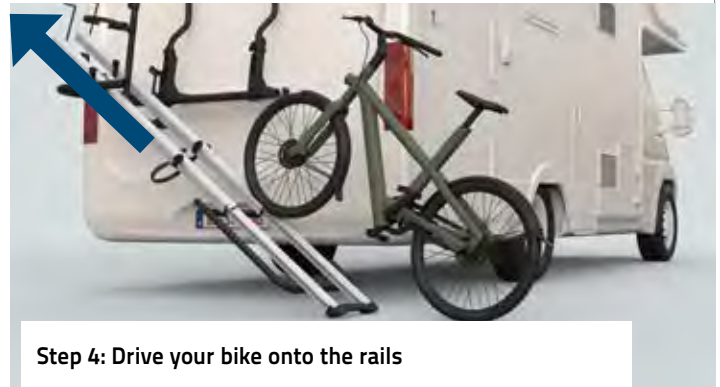
Step 1: Open the platform



Step 2: Slide the rails outwards



Step 3: Tilt the platform



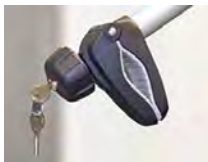
Step 4: Drive your bike onto the rails

Comfort and enjoyment with the new, tiltable BIKE GLIDE bike carrier, specially developed for motorhomes for effortless loading of your bikes

BIKE GLIDE bike rack

- For 2 e-bikes or classic bikes
- Maximum comfort for transporting e-bikes or heavy bikes
- Effortless loading
- Max. load cap. of 60kg
- Particularly stable platform made of steel material for a long service life
- Never lift heavy bikes again thanks to integrated gas struts
- BIKE GLIDE slides to the ground (for most motorhomes) and allows easy and convenient access (bridging height differences of up to 1,1 m)
- Quick and easy installation (no electrical connection required)

443542 1305,-



Safety lock for wheel holder
443503 29,-



Mounting bracket for existing mounting rails on the vehicle
443505 107,-



Mounting kit for 3rd wheel:
1 V-rail, 2 wheel holders, 1 retaining arm
443501 122,-

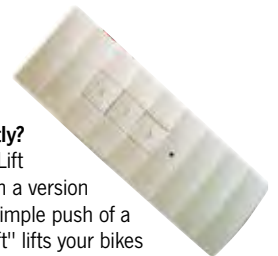


Accessories for Bike-Lift 12 Volt

Would you like to operate your Bike Lift even more conveniently?

All versions of the Bike Lift are now also available in a version with remote control. A simple push of a button and the "Bike Lift" lifts your bikes neatly up or down. Do you already have a Bike Lift with switch operation? This solution can be perfectly retrofitted.

Remote control 443527 90,95



Electric bike lift with 12 volt motor in 4 versions

Rail: For vehicles already equipped with Fiamma or Thule Rail

Short: For motorhomes with a smaller free rear wall (e.g. with window or hinged door)

Maximum mobility with the electric bike lift Convenient loading and unloading of bikes

- With the 12-volt motor, the platform of the bike lift can bridge a height of 110 cm
- Emergency operation
- In many motorhomes, the platform can be lowered to the ground
- No laborious lifting of the bikes
- Lowered, a perfect parking space for your bikes
- Maximum load of 60 kg
- Suitable for 3 bikes or 2 e-bikes

Bike-Lift - lowerable bike carrier 12 volt can be lowered up to 110 cm

Weight: approx. 20 kg. Power consumption: 8 A.

① Bike-Lift Standard	44350	1605,-
② Bike-Lift Standard Rail*	44354	1605,-
③ Bike-Lift Short**	44359	1605,-
④ Bike-Lift Short Rail	44361	1605,-

NEW Bike-Lift Off Road Edition black

New, black version of the Bike-Lift with extra wide rails (8,7 cm) for e- or mountain bikes. (Remote control 443527 optionally available)

443550 1855,-

Optional accessories:

Mounting rails for easy mounting of the "Bike Lift - Standard Rail" and "Bike Lift - Short Rail" variants on all motorhomes.

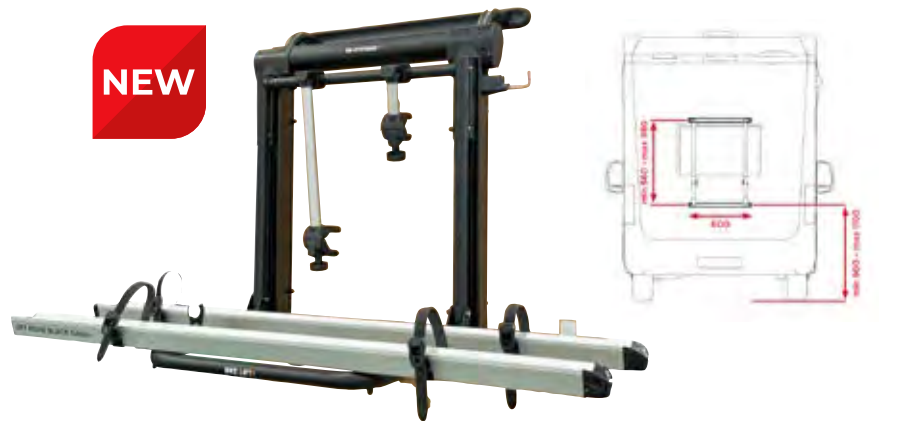
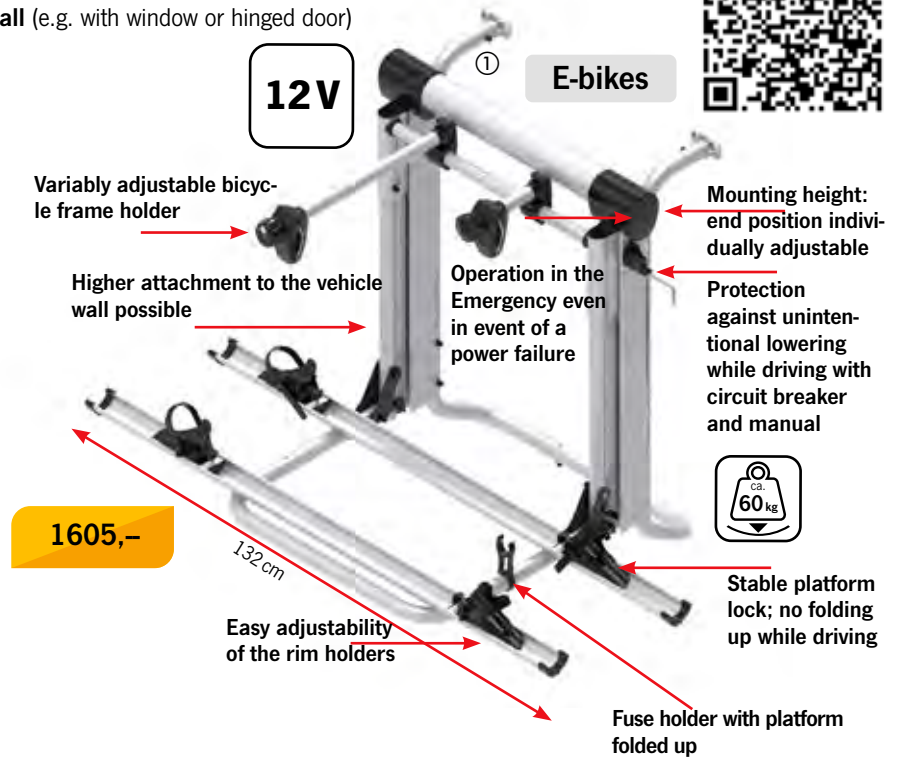
Mounting rail silver	443551	85,95
Mounting rail Black	443552	85,95

Offroad Rail Kit

wider bike rail (8,7 cm), for convenient and stable charging of e-bikes with wider tires. Can also be attached to a classic "Bike Lift".

443553 126,-

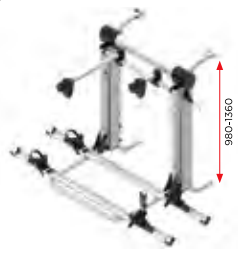
Further accessories see left side



① Bike Lift Standard



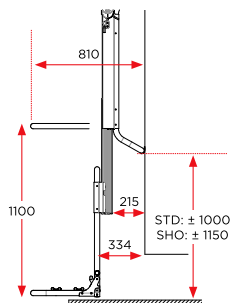
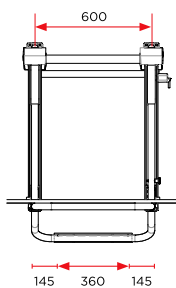
② Bike Lift Standard Rail



③ Bike Lift Short



④ Bike Lift Short Rail



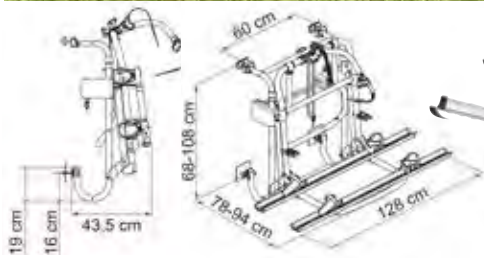
*Only for vehicles already equipped with FIAMMA or Thule Rail

**Only for motorhomes with a smaller free rear wall (e.g. if there is a window or a hinged door on the rear wall).



MAX. 110 cm

The bike lift for maximum comfort and safety with low entry



Carry-Bike Lift 77 - manually lowerable bike rack

- Updated cover caps
- Lowerable bike rack - raises and lowers 77 cm
- For 2-4 bicycles or 2 e-bikes
- With swing support bracket
- Incl. crank
- Load capacity 60 kg

Made of anodized aluminum with 35 mm round tube structure and solid stainless steel support bracket for absolute stability. For 2 bikes, expandable to 4 bikes. Maximum load per rail: 30 kg or 15 kg for 4 bikes. Weight: 15,6 kg

Scope of delivery:

1 basic rack, 1 crank, 2 bike rails Rail Premium, 2 bike spacers Bike Block Pro S1 + S3, 2 rack holders, 1 security strip, mounting brackets.

440635 937,-



New with end stop device

12V



Motor Lift 77 for 2 to 4 bikes or 2 e-bikes

- Motorized folding support bracket
- Lowering 77 cm
- Height-adjustable structure
- 12 V power supply

Motorized carry bike for motorhomes, the support bracket can be lowered by 77 cm, making it easy to load and unload bikes.

This version is an addition to the manually operated Carry-Bike Lift 77. Weight approx. 17,4 kg Maximum load capacity 60 kg.

Scope of delivery:

1 basic rack, 12 V motor, 2 Rail Premium bike rails, 2 Bike Block Pro S1 + S3 bike spacers, 2 rack holders, 1 security strip, mounting brackets.

440624 1064,-



Swing support bracket
Can be lowered by 77 cm to load and unload the bikes



Drive
With push-button for easy Ascent and descent



Rail-Premium-Rail
With bicycle support block for tires up to 2,8"



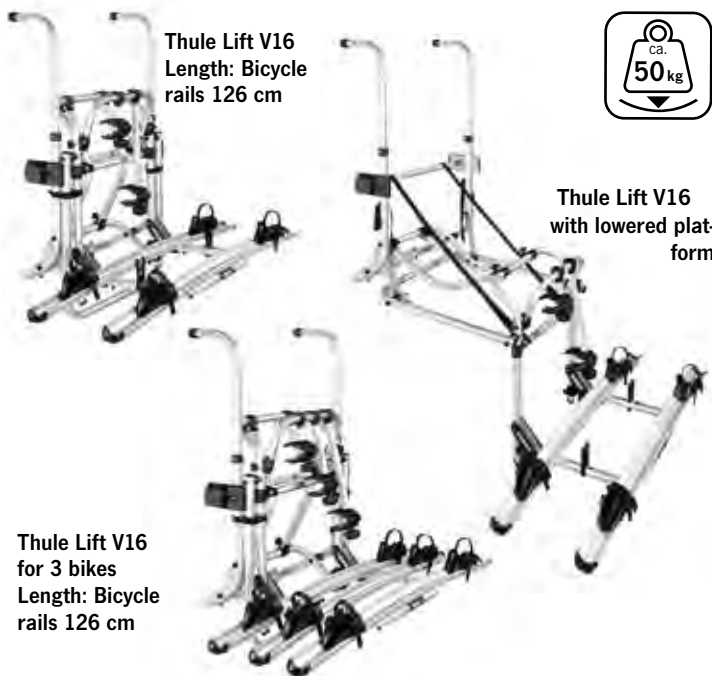
Tension belt
For raising and lowering the Support bracket



Carry-Bike Lift 77 adapter kit

For mounting the bike carrier on vehicles that are already equipped with the Support Bar kit.

440636 22,60



Thule Lift V16
Length: Bicycle rails 126 cm



Thule Lift V16
with lowered platform

Thule Lift V16
for 3 bikes
Length: Bicycle rails 126 cm



12V

Thule Lift V16 - easy to drive up and down

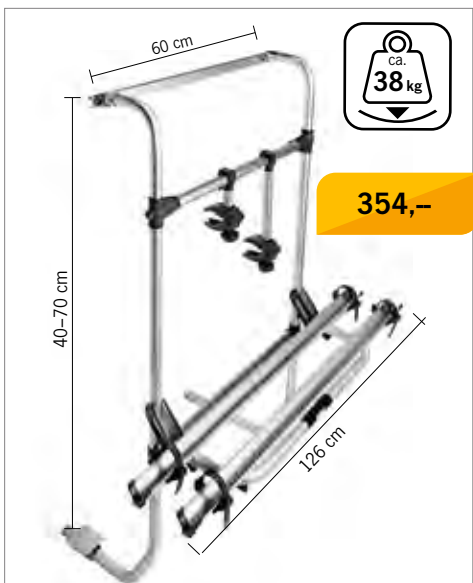
Manually or w/ motor. Easy loading: platform can be lowered by 70 cm, allowing easy access to bikes & therefore easy loading & unloading. Suitable for motorhomes & caravans w/ a vertical rear wall. The **12 volt motor** is designed for intensive use & raises or lowers platform within 40 seconds.

Thule Lift V16 manual lowering	44355	969,-
Thule Lift V16 with 12 V motor	44356	1159,-
Extension set 95-150 cm	44358	105,-

Manual	With 12 volt motor
• 2 wheels expandable to 3	• 2 wheels expandable to 3
• Weight 17kg	• Weight 18kg
• Maximum load 50kg	• Maximum load 50kg



Thule Lift V16 3rd Rail Kit for mounting a third bike
44357 105,-



354,-

Thule Sport G2 Universal - universal rear carrier for caravans

- For 2 bikes (not expandable)
- Rails can be adjusted without tools
- Load capacity 38 kg
- Load per rail max. 19 kg
- Recommended where space is limited due to windows or bumpers

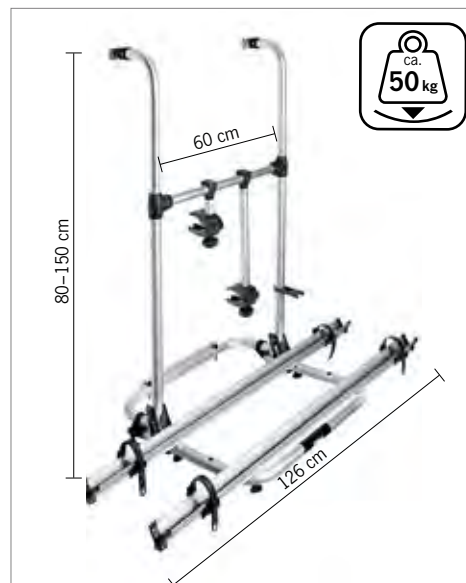
Weight 8,0 kg
44297 354,-



Thule Sport G2 W 150 Hobby - Bicycle rack for rear wall

- For Hobby Caravan ≥ 2004
- For 2 bicycles
- Expandable up to max. 3 wheels
- Rails can be adjusted without tools
- Load capacity 50 kg
- Load per rail max. 19 kg

Can be fitted in addition to the Omnistor W 150 window awning.
Weight 6,8 kg.
44299 314,-



Thule Sport G2 Tour - for the rear wall of motorhomes and caravans

- For 2 bicycles
- Expandable up to max. 3 bikes
- Rails can be adjusted without tools
- Load capacity 50 kg
- Load per rail max. 19 kg

Weight 6,8 kg
44298 324,-



NEW

CARL 300 - the lightweight folding e-bike with 7-speed derailleur gears and mudguards

- Wheel size 20" x 1,95
- Sturdy, foldable aluminum frame
- LCD bike computer for smooth pedal assistance
- Li-Ion battery 36V / 7,8 Ah / 281 W/h
- Charging time approx. 4-6 hours
- Battery removable / lockable
- Range up to 60 km
- 5-stage pedal assistance
- 7-speed Shimano SIS derailleur gears
- Powerful 36V motor with rear-wheel drive
- Push-assist / starting aid
- Tektro V-Brake brakes

Carl 300 is easy to stow away thanks to the intelligent quick-release mechanism, foldable pedals and handlebars. Rims: double-walled, black aluminum rims. Delivery incl. LED front headlight, LED battery-powered taillight, reflectors and stand. Maximum load 110 kg. StVZO compliant. Dimensions ready to drive: L1.590 x W580 x H1.160 mm / folded: L925 x W540 x H720 mm. Weight incl. battery: 17,5 kg
Color: Shiny black

908967

1349,-



FRIDA - foldable city e-bike with large wheels

- Wheel size 24" x 2,15
- Rear-wheel drive
- Sturdy, foldable aluminum frame
- LCD bike computer for smooth pedal assistance
- Li-Ion battery 36V / 10,4 Ah / 375 Wh, removable/lockable
- Charging time approx. 4-6 hours
- Range up to 80 km
- 5-stage pedal assistance
- 6-speed Shimano SIS gears
- Push-assist/starting aid

Frida is easy to stow away thanks to its intelligent quick-release mechanism, foldable pedals and handlebars. With integrated brake light, LED lights front and rear, reflectors and stable double kickstand. Aluminum rims, black. Mechanical disc brakes front and rear. Max. load 120 kg. StVZO compliant. Dimensions ready to drive: L1.700 x W600 x H1.200 mm / folded: L900 x W450 x H840 mm
Weight incl. battery: 17,5 kg
Color: lava grey matte

908963

1599,-

Spare battery (3 kg)

9089622

499,-



FRANZI - foldable e-bike as low-riser model

- Aluminum frame
- Front-wheel drive
- 20" wheel size
- Battery 36 V/10,4 Ah removable/lockable, charging time 4-6 hours
- Max. load capacity 110 kg
- 5-stage pedal support
- Suspension seat post
- 3-speed Shimano hub gear
- 250 W motor/36 V, iD65
- StVZO compliant

The low-riser model is ideal for anyone who finds it too difficult to get on a conventional bike but doesn't want to give up cycling. It has a front motor and front and rear brakes, which can be operated using the levers on the handlebars, as well as a practical coaster brake. The Shimano gear hub provides support with 5 selectable gears. Color: Titanium matt, dimensions: open: L150 x W58 x H114 cm folded: L81 x W46 x H69 cm, weight incl. battery: approx. 22 kg

908962

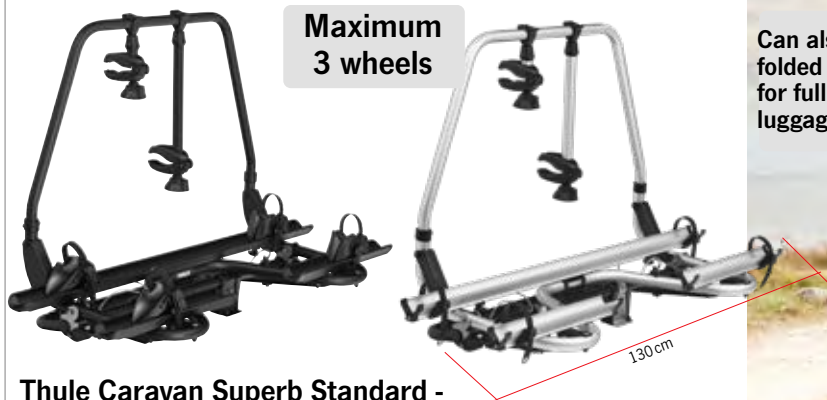
1799,-

Spare battery (3 kg)

9089622

499,-

Accessories on page 271



**Maximum
3 wheels**

**Thule Caravan Superb Standard -
Foldable bike rack**

For safe transportation of bicycles on caravan towbar. With platform lock that automatically returns to its original position. With a low center of gravity. The Superb carrier is suitable for 2-3 bikes or 2 e-bikes. Also for drawbars with plastic cover. Tilt angle stop.

Scope of delivery base carrier, 2 bicycle rails, 2 spacers

Weight: 9,7 kg

Silver	443431	414,-
XT Black	443435	459,-
Fatbike Rail Black (p.579)	44556	112,-



Can also be completely folded down w/ wheels for full access to the luggage compartment



Extension kit for Thule



3rd wheel extension kit for Thule Superb

Rail + spacer, weight: 3 kgsilver	E5316	92,-
	Black 443437	102,-

Thule Caravan Smart for 2 bikes

- Compact, pivoting carrier
- Designed for mounting on the A-frame

For 2 bicycles.
Short and long drawbars,
e.g. Adria Aviva.
Plastic cover suitable,
Tilt angle stop.

Weight: 8,9 kg

443432	404,-
--------	-------



Thule Caravan Superb Short for 2 bikes

- For normal and short drawbars
- Easy to load thanks to the lowered platform

Suitable for 2 bicycles, plastic cover,
tilt angle stop

Weight: 6,6 kg

Silver	443434	414,-
XT Black	443436	459,-
Fatbike Rail Black (p.469)	44556	112,-

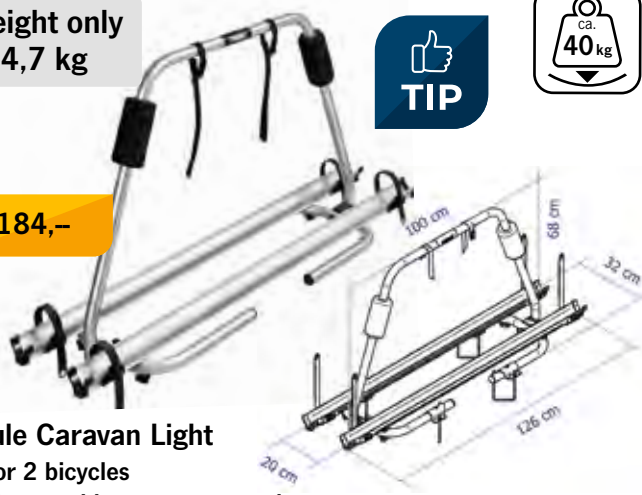


Also available in black

**Weight only
4,7 kg**



184,-



Thule Caravan Light

- For 2 bicycles
- Short and long caravan towbar
- With foam protective padding and fastening straps for safe bike transportation

Some of the bars can be tilted. Bicycles usually have to be removed to open the front storage compartment. Weight 4,7 kg.

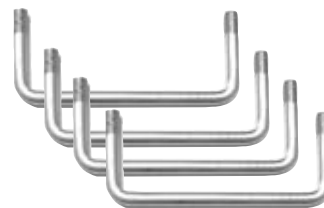
44342	184,-
-------	-------

**Adapter - U-bracket for
AL-KO Vario X chassis**

Adapter set for mounting a Thule towbar bike rack on the AL-KO Vario X chassis.

In a set with 4 U-brackets.

443051	19,-
--------	------





Carry-Bike Caravan rear carrier universal

- For 2 bikes, not expandable
- Load: up to 35 kg
- Weight: 7,5 kg

This bike rack is designed to be mounted on the supporting frame of the caravan (Bürstner, Chateau etc.). It is attached at the top and bottom with self-tapping screws, but does not require holes to go through. Height adjustable from 100 cm to 180 cm.

Scope of delivery: 2 Rail-Quick-Pro bike rails 128 cm, 1 Bike Block Pro S1 + Pro S3 each

44453 375,-



NEW

Rear carrier for Hobby caravans ≥ 2003

- Complete with special upper suspension
- Positioning under profile of the rear window
- Lower bracket is positioned centrally for even more stability
- Load: up to 50 kg
- Weight: 5,6 kg

Scope of delivery: 2 Rail-Quick bike rails 128 cm, 1 Bike Block Pro S3 each, 1 Rack Holder, 1 strip bike strap

For 2 bicycles 444521 300,-

For 2 bikes (Previous version with blue end caps u. Bike Block Pro 3 blue 44452 306,-



Simple Plus 200 rear carrier

- For caravans with unstable or sloping rear walls
- Upper brackets are attached to the existing piping strip above the rear window
- With holder for lower bracket
- Height adjustable from 110-145 cm
- Load: up to 35 kg
- Weight: 6,4 kg

Scope of delivery: 2 Rail Quick bike rails 128 cm, 1 Bike Block Pro S1+S2 each, 1 Rack Holder

For 2 bicycles 44454 309,-





Carry-Bike Caravan XL A PRO



Carry Bike Caravan for the caravan drawbar

- Thanks to the folding mechanism of the bracket, the drawbar box can also be opened with bicycles mounted (except XL)
- Loading the bikes is easy and safe.
- No need to drill holes when attaching to the standard drawbar
- Easy positioning of the wheels by moving them horizontally

① 444501 Deep Black
(Image shows silver version)

Carry-Bike Caravan XL A PRO 200



② 440421 Silver 440422 Deep Black

③ 444511 Deep Black

Carry-Bike Caravan XL A PRO 300



④ 440435 Silver

④ 440436 Deep Black

Carry-Bike Caravan Active

- Simple and safe
- Support bracket engages automatically
- Access to gas locker possible from both sides
- Automatic securing of the support bracket



⑥ 440406

Model	Max. load	Weight	Number of bicycles	Maximum bicycles	E-bikes	Incl. bicycle rail 128 cm long	Incl. bike block	Art. no.	Price
① Caravan XL A Pro Deep Black (without illustration)	50 kg	9,0 kg	2	2	-	2 x Rail Quick Pro	Strip + Pro S2	444501	373,-
② Caravan XL A Pro 200 Silver	50 kg	9,4 kg	2	2	2	2 x Rail Plus	Pro S2 + Pro 2	440421	401,-
Caravan XL A Pro 200 Deep Black (without illustration)	50 kg	9,4 kg	2	2	2	2 x Rail Plus	Strip + Pro S2	440422	472,-
③ Caravan XL A Pro 200 Deep Black	50 kg	7,5 kg	2	2	-	2 x Rail Quick Pro	Strip + Pro S2	444511	376,-
④ Caravan XL A Pro 300 Silver	50 kg	10,0 kg	2	3	2	2 x Rail Plus	Strip + Pro S3	440435	453,-
⑤ Caravan XL A Pro 300 Deep Black	50 kg	10,0 kg	2	3	2	2 x Rail Plus	Strip + Pro S3	440436	500,-
⑥ Carvan Active Silver	50 kg	11,2 kg	2	3	2	2 x Premium	Strip + Pro S 3	440406	624,-
Caravan Active Silver (not shown)	50 kg	7,5 kg	2	3	-	2 x Rail Quick Pro	Strip + Pro S 3	440646	440,-



Drawbar carrier BS260

- For 2 bikes, also suitable for e-bikes
- For transporting 2 bicycles on the caravan drawbar
- The storage box of the caravan remains easily accessible thanks to the sliding system
- Carrier mounting without having to drill into drawbar
- Compatible with almost all caravan drawbars
- Very lightweight

Bike rack for transporting 2 bicycles on the caravan towbar. Compatible with almost all towbars. Also suitable for e-bikes. Can be mounted without drilling. The caravan's storage and bottle compartment remains easily accessible thanks to the innovative sliding system. Is attached to the towbar without drilling using special fastening clips. It is equipped with removable and lockable frame holders, tensioning straps and ratchets. Carrier not lockable, only frame holder. Rail type: aluminum profile rails.

Extendable by approx. 50 cm.

Rail spacing: approx. 20 cm, wheelbase: max. 135 cm.

Max. tire width in the rail: up to 60 mm.

Material: aluminum/plastic.

Max. load capacity: 60 kg, tare weight: approx. 12,5 kg,

Dimensions: approx. 99-136 x 85 x 42 cm

Silver

440737

459,95

NEW



459,95



50 cm



NEW

Accessories suitable for EUFAB bike rack

① **Removable frame holder Ø 25+30mm, short or long version**

For all EUFAB bike rack models. Also suitable for other bike rack brands (please note the diameter) Frame diameter of the bike from 3 - 6 cm.

Short: Length approx. 12 cm

440732

36,95

Long: Length approx. 31 cm

440733

42,95

② **Adjustable strap frame holder 27 cm or 40 cm**

For attaching bicycles. Diameter 25/30mm. Can be locked in various positions with swivel joint. Quick attachment and removal of the frame holder thanks to the separable clamp. For almost all bikes.

27 cm

440734

67,95

40 cm

440735

69,95



Folding adapter for BS260 towbar carrier

Allows the BS260 towbar carrier to be folded down for unhindered opening of the storage compartment on the caravan. The fold-down adapter is attached between the sliding mechanism and the bike carrier. The locking mechanism is released using a cable.

Dims.: approx. L 26,5 x W 5,5 x H 5 cm.

Material: aluminum, weight: 1,2 kg

Black

440634

79,95

Bike rack for trailer coupling SD260

- Especially for vehicles with rear doors
- For transporting 2 bikes, including e-bikes
- Also suitable for bikes w/ oversize & Y-frames
- Suitable for almost all trailer coupling types
- Lockable frame holder and carrier

For transporting two bicycles on the trailer coupling, especially for panel vans and motorhomes, family buses, high-roof vans with hinged doors and cars.

70 cm sliding movement enables the opening of up to approx. 85 cm wide doors.

With quick-release fastener, strap frame holder especially for sensitive frames. Frame holder and carrier are lockable.

Rail type: aluminum profile rails,

Rail spacing: approx. 24 cm,

Wheelbase: Max. 130 cm,

max. tire width in the rail: Up to 80 mm,

lighting connection: 13-pin plug.

Material: Aluminum, steel and plastic.

Max. load capacity: 60 kg, max.

load of the individual rail: 30 kg.

Weight: approx. 20 kg.

Dimensions: approx. W 130 x H 77 x D 81 cm, folded: approx. W 84 x H 28 x D 81 cm.

Silver 440625 799,-

NEW Black 440727 849,-



Accessories:

Extension rails for 3rd bike:

With lockable strap frame holders on both sides. Max. tire width up to approx. 80mm

- ① Suitable for 440625 silver: 440728 149,-
- ② Suitable for 440727 black: 440729 159,-



③ Storage bag for the SD260 and SD260 BLACK

With the storage bag, you can store your bike rack dust-free in the garage or transport it protected in the car

440738 15,95



Bike rack for Crow Plus trailer coupling

- Suitable for almost all trailer coupling types
- For transporting 2 bicycles, including e-bikes
- Also suitable for bikes w/ oversize & Y-frames
- With folding mechanism

Expandable to 3 bikes, foldable with quick-release fastener and can be folded down. For transporting 2 bikes on the trailer coupling. With quick-release fastener, bicycles secured by frame holders and textile tensioning straps. Carrier is lockable.

Sturdy steel rails with plastic wheel holder and a rail spacing of app. 18 cm.

Wheelbase: Max. 126 cm

Max. tire width in the rail: Up to 3,25 inches

Lighting connection: 13-pin plug

Material: steel / plastic.

Max. load capacity: 50 kg, tare weight: approx. 14,5 kg.

Dimensions: W 117 x H 67 x D 56 cm.

Folded dimensions: W 71 x H 19 x D 75 cm

440626 315,-

Extension for 3rd wheel 4406261 78,-



BICYCLE CARRIER FOR THE TRAILER COUPLING

Atera

E-bikes

NEW



Rear bike rack Strada EVO RV - ideal for hinged doors and large tailgates

- Bicycle carrier for 2 bicycles,
- Optionally expandable to three bikes
- Side underride guard
- Fold-down aluminum support bar with removable spacers and integrated overrun protection for carbon frames
- Smooth-running roller extension for opening large tailgates and wing doors
- No twisting of the bike handlebars due to wide distance to the rear of the vehicle

Load capacity per wheel rail: 30 kg. Total load capacity 60 kg, also suitable for e-bikes. For frame diameters: 25-80 mm, for tire widths up to 3 inches. Dimensions: W 108 x H 33 x D 75 cm, weight: 18,4 kg

440718	749,-
440719	174,-

Extension rail 3rd wheel

749,-



Coupling carrier A2000 for mopeds up to 90 kg

- Sturdy aluminum support
- With stabilizing element
- Rail with front wheel stop
- Incl. access ramp
- Weight only app. 17,5 kg
- Payload 90 kg with braced carrier

Fits almost any trailer coupling. A coupling element is bolted to the ball neck (included) for stabilization.

46360	1559,-
-------	--------



Attach support arm



Ready for loading



Slide on the support unit & attach the lighting



Please note the permissible towbar load of your vehicle

Heavy-duty hitch carrier UT2020 for mopeds up to 120 kg

- Sturdy aluminum carrier w/ aluminum access ramp
- Front wheel limitation
- Galvanized T-bar with padding
- Weight approx. 17,5 kg
- Anti-theft device included

Motorcycle carrier for trailer coupling	46361	1789,-
UT2020 bike rack attachment for 2 bikes	E5832	569,-

CARBEST

NEW



Towbar adapter for bike rack

Attachment on the towbar of caravans, foldable caravans or trailers. Mounting adapter with enclosed U-bolts - no drilling required. Attachment on the towbar: U-bracket + clamping plate with self-locking nuts.

Max. load 50kg, dimensions: 75,5 x 6cm, color: matte chrome.

Weight: 4,4kg **43996** **49,95**

Available from Q2/2025



Towbar adapter for bike rack

To install a bike rack for max. 2 bikes on the caravan towbar. Attach to towbar w/ a U-bracket, clamping plate and self-locking nuts. Observe the manufacturer's towbar load.

Max. load capacity of the adapter: 65 kg. L75,5 x W7 x D23 cm, approx. 4,35 kg

44248	82,95
-------	-------



Carry Moto - motorcycle rail and loading ramp

- Sturdy motorcycle rail with stop bar for the front wheel
- Sturdy straps to secure the motorcycle (L: 2,02 x W: 14 cm)
- A loading ramp is connected to the motorcycle rail during loading

Scope of delivery: 1 carrier rail (L: 180 x W: 15 cm), 1 access ramp, 2 ratchet straps with ratchet to secure the motorcycle. Suitable for motorcycles/scooters up to 200 kg.

Carry Moto

44170

408,-

Carry Moto Pro - retractable motorcycle rail

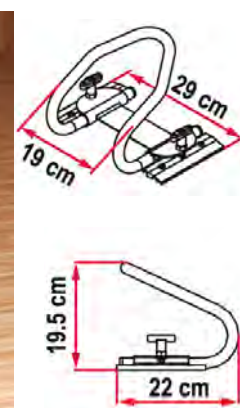
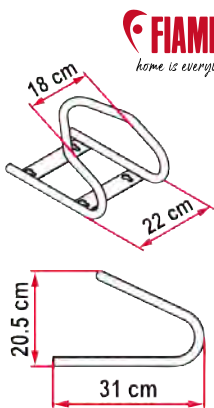
- Slide-in aluminum motorcycle rail
- Slide roller bearing rail, therefore very smooth-running
- Loadable up to 200 kg
- 2-stage extendable up to 90 cm

Scope of delivery: 1 carrier rail (L: 180 x W: 15 cm), 1 slide-in ramp rail (length 155 cm), 2 ratchet straps w/ pawl to secure motorcycle. Suitable for motorcycles/scooters up to 200 kg.

Carry Moto Pro

44228

631,-



Locking system for front wheel

- For the rear garage
- Stabilizes the scooter
- Is screwed to the floor
- For tire widths up to 165 mm

MotoWheel Chock F or the front wheel

Incl. mounting kit and 2 ratchet straps.

471702

95,30

Locking system for rear wheel

- For the rear garage
- Stabilizes the scooter
- Is screwed to the floor
- For tire widths up to 165 mm

MotoWheel Chock R for the rear wheel

Easy to remove w/ the help of 2 wing screws.

471703

137,-

EUFAB®



Universal ramp for bike rack

Practical loading ramp for many bike carriers. No need to lift the bikes onto the bike rack, they are simply driven onto it. Folding version for space-saving storage in the trunk. For tire widths from approx. 8 to 10 cm.

440736

49,95





Rear garage drawers for Motorcycle/scooter and bicycle

Motorcycle/scooter retractions

Electrically operated feeder



Manually operated feeder



- Electric loading & unloading of motorcycles or scooters in rear garage
- Control via the radio remote control
- For tire sizes from 8" to 21"
- Front wheel attachment w/ quick-release crank
- 12 Volt/6 A - quiet motor operation
- Maximum load: 160 kg

- Manual loading & unloading of motorcycles or scooters in rear garage
- Precise guidance is guaranteed when sliding in and out
- For tire sizes from 8" to 21"
- Front wheel mounting with knurled screw
- Maximum load: 160 kg

Technical data:

Rail dims.: L2.000/1.900 x W110 x H 70 mm, Dims. front wheel holder: H400 x W580 x D350mm Weight approx. 16 kg, max. load 160 kg.

Scope of delivery:

Rail w/ pre-mounted 12V motor, carriage for motorcycle/scooter tires w/ quick crank. Incl. wireless remote control. (Folding ramp 46396 not included)

Technical data:

Rail dims.: L 2.000/1.900 x W 110 x H 70 mm, Dims. front wheel holder: H 400 x W 580 x D 350 mm Weight app. 11 kg, max. load 160 kg.

Scope of delivery:

Rail with manual feed device. Carriage for holding motorcycle/scooter tires with knurled screw. (Folding drive-on rail 46396 not included)

Rail length 190 cm

Guide rail right	442257	1333,-
Guide rail left	442258	1333,-

Rail length 190 cm

Guide rail right	442254	657,-
Guide rail left	442256	657,-

Rail length 200 cm

Guide rail right	44225	1333,-
Guide rail left	442251	1333,-

Rail length 200 cm

Guide rail right	442252	657,-
Guide rail left	442253	657,-



Accessories for electric and manual retraction



Folding drive-on ramp For driving motorcycles or scooters into the rear garage. Length: 226 cm, loadable up to 340 kg. Can be folded up for compact storage.

46396 234,-



Bicycle retractions

Manually operated feeder

- Manual loading and unloading of 2 bicycles, e-bikes or fat bikes
- Including bicycle lifting handle for loading without access ramp

Rail length 190 cm

Guide rail right	442268	689,-
Guide rail left	442269	689,-

Rail length 200 cm

Guide rail right	442266	719,-
Guide rail left	442267	719,-

SmartRail - Electric into the rear garage

- With the SmartRail electric garage pull-in system, a scooter can be stowed safely in rear garage in no time at all & without the need for extra hands
- The front wheel of the scooter (max. 150 kg) is pushed into the wheel holder of the Smart Rail via a drive-on rail and secured using the handlebar tensioning strap supplied
- Entry into the garage with electric version via a toothed belt using a wired remote control
- Rail: length 1.900 mm, height 60 mm, width: 280 mm

SmartRail manual garage pull-in for scooters up to 150 kg

Scope of delivery: Rail system with carriage, ramp rail, 1 handlebar tensioning strap, 2 tensioning straps for rear attachment.

442441 1049,-

SmartRail electric garage pull-in 12 V for scooters up to 150 kg

Virtually no loss of storage space.

Scope of delivery: rail system w/ carriage, wired remote control, drive-on rail, 1 handlebar tensioning strap, 2 tensioning straps for rear attachment.

44244 1599,-

The load capacity depends on gradient of the loading ramp.



from 1049,-



Findus - lightweight load carriers with high capacity

- Lightweight aluminum carrier in a modular system
- Low loading height
- Load-bearing frame extension required
- Equipped with quick-release fasteners for tool-free assembly and disassembly
- Can be combined with Linnepe trailer coupling
- Payload up to 150kg
- Weight approx. 28 kg

Depending on version, these load carriers from Linnepe can be used to transport various two-wheeled vehicles. E-bikes, bicycles or scooters can be transported as required.

Findus load carrier for transporting a scooter, complete w/ ramp, retaining bracket, lashing straps & wedges. Weight: app. 27 kg, low projection: 490 mm, little change in vehicle length. Width: 2.000 mm, depth: 490 mm, rail dims.: L 1.900 x W 190 mm

46649 1299,-

Accessories for Findus load carriers

Electrical kit with AFC module 46699 179,-

Electrical kit w/ Canbus system For Fiat Ducato, Peugeot Boxer & Citroën Jumper from YOC 7/06 466991 229,-

Suitable for all standard motorhomes w/ a load-bearing frame extension and/or Alko chassis.



1299,-

E-bike



Findus 2.0 bike carrier

Ideal for 2 bikes. Also very suitable for heavy e-bikes. No great effort required due to low loading height.

Rail width: Inside 60 mm/Outside 80 mm Rail length: 1.900 mm

Scope of delivery:

Brackets, bicycle rails and fastening material for two bicycles.

Technical data:

Payload: up to 80 kg, weight: app. 27 kg, low projection: 490 mm, width: 2.000 mm

466492 1149,-



E-bike

Bike holder Plus for load carrier Findus/Findus 2.0

For transporting 2 additional bicycles max. payload 25 kg, weight app. 6 kg; scope of delivery: 2 bicycle rails, 2 extensions, 2 support arms

466494 349,-



from **2299,-**

GiroVan load carrier

- Transportation of 2 bicycles/e-bikes
- Swivel: allows the rear doors to be opened when loaded
- Can be combined with Linnepe trailer coupling
- Equipped with quick-release fasteners for tool-free assembly and disassembly
- Can be folded up without tools when unloaded (approx. 25 cm shorter)
- Dims. app. W 175 x D 63/38 cm
- Payload up to 80 kg
- Weight app. 47 kg

The swivel-mounted GiroVan was specially developed for Fiat Ducato, Citroën Jumper & Peugeot Boxer panel van from YOC 07/2006. It first and foremost impresses with its elegant design and the flexibility it offers.

Scope of delivery:

Load carrier including mounting elements and fastening material.
Rail width: Inside 60 mm/outside 80 mm. Rail length: 1.350 mm

GiroVan short overhang (L1, L2 + L3)	466501	2299,-
GiroVan long overhang (L4)	466502	2299,-



Slide-Port & Trigger - duo for panel vans

- The ideal carrier for Fiat Ducato panel vans and similar models
- Slideport: platform can be slid to the left for access to the rear door with roller
- Equipped with quick-release fasteners for tool-free assembly and disassembly
- Can be combined with detachable Linnepe trailer coupling
- With EC type approval - no entry in the vehicle documents

Easy to load ...

The load carriers are supplied w/ an access rail for loading. The rail disappears into a drawer under the carrier when not in use & is therefore out of the way when rear door is opened.

... simply remove

Like all Linnepe load carriers, Trigger & SlidePort are also removable. The platform carriers can be removed without tools & in just a few moments thanks to the special quick-release fastening on the vehicle.

Technical datapayload: 170 kg, (trigger w/ expert opinion 200 kg possible).
Weight: Trigger approx. 51 kg, SlidePort approx. 59 kg, D: 650 mm, L: 2.000 mm.
Rail dimensions: L 1.900 x W 190 mm

Scope of delivery: Load carrier including mounting elements and fastening material.

Slide-Port with short overhang, sliding For Fiat Ducato Length: 6,00 m	46625	2299,-
--	--------------	---------------

Slide port with long overhang, sliding For Fiat Ducato Length: 6,40 m	46626	2299,-
---	--------------	---------------

Trigger with short overhang, not movable For Fiat Ducato Length: 6,00 m	46725	1849,-
---	--------------	---------------

Trigger with long overhang, not moveable For Fiat Ducato Length: 6,40 m	46724	1849,-
---	--------------	---------------

Wiring kit for load carrier Slide-Port 13-pin with AFC module	46699	179,-
Fiat Ducato X250/X290 with Canbus system	466991	229,-

Basic bike rack system for transporting 2 e-bikes	46536	399,-
Bracket for motorcycle rack	466251	239,-



Basic bike rack

Porto - motorcycle rack - the inexpensive one

- Material mix of steel and aluminum
- Load-bearing frame extension required
- Equipped with quick-release fasteners for tool-free assembly and disassembly
- Can be combined with Linnepe trailer coupling
- Payload max. 150 kg
- With EC type approval

Scope of delivery:

Load carrier including mounting elements & fastening material Depth: 650 mm, length: 2.000 mm, Rail dims.: L 1.900 x W 190 mm

Weight: approx. 41 kg

46627 999,-

Electrical kit 13-pin with AFC module

46699 179,-

Electric kit Fiat Ducato X250/X290

with Canbus from 7/06*, *also for Peugeot Boxer + Citroën Jumper

466991 229,-

Suitable for all standard motorhomes with a load-bearing frame extension.



Quick release fastener
"Assembly without tools"

XtraFold load carrier

- For a scooter
- Load-bearing frame extension required
- Equipped with quick-release fasteners for tool-free assembly and disassembly
- Can be folded up w/o. tools (app. 40 cm shorter)
- Can be combined with Linnepe trailer coupling
- Material: steel/aluminum
- Dimensions: 2.000 x 600/300 mm
- Payload up to 150 kg,
- Own weight approx. 39 kg

XtraFold load carrier is so robustly designed that it can carry scooters & smaller motorcycles weighing up to 150 kg & can also be folded up. Rail dims.: L 2.000 x W 160 mm

Scope of delivery: Load carrier including mounting elements and fastening material.

466500 1599,-



Scout motorcycle carrier - low weight, clear appearance

- Shock-resistant, visually appealing aluminum light strip
- Expandable for the additional transportation of up to 2 bicycles
- Equipped with quick-release fasteners for tool-free assembly and disassembly
- Sustainable frame extension required
- Can be combined with Linnepe trailer coupling
- Payload up to 150 kg
- Weight approx. 39 kg



Scout motorcycle carrier

Load carrier including mounting elements & fastening material Depth: 550 mm, length: 2.000 mm, rail dims.: L 1.900 x W 190 mm

Weight: approx. 39 kg

46679 1879,-

Electrical kit 13-pin with AFC module

46699 179,-

Electrical kit Fiat Ducato X250/X290 w/ Canbus from 7/06*

*also for Peugeot Boxer + Citroën Jumper

466991 229,-

Suitable for all standard motorhomes with a load-bearing frame extension.



Bike holder Plus Scout for 2 bikes

For transporting 2 bikes (payload up to 25 kg) next to a motorcycle or scooter; scope of delivery: 2 wheel rails, 2 extensions, 2 support arms.

Weight: approx. 6 kg.

466791 299,-

MOTORCYCLE RACKS / TRAILER COUPLINGS

Cate rear carrier for panel vans and vans

- With TÜV approval
- Up to 300 kg payload (see table)
- Foldable - for easy loading



Detachable motorcycle carrier

With lighting device and 13-pin plug. Assembly instructions included. Necessary parts: Adapter, base carrier, accessories

Basic carrier I for station wagon and panel van

For all vehicles included in the above list

D600 x W1.400 mm, 20 kg	46321	831,-
D800 x W1.400 mm, 24 kg	46322	1306,-

Adapter for panel vans and station wagons

Vehicle	Model year	Load capacity	Wheel-base	Trailer coupling		Art. no.	Price
				yes	no		
VW T6 / 5	≥ 4/03	250 kg	all		x	46324	689,-
				x		46325	629,-
Sprinter/Crafter*	≥ 4/06*	300 kg	all	x		463431	629,-
	≥ 4/06				x	463421	629,-
Fiat Ducato**	≥ 07	250 kg	all		x	46391	685,-
				x		46392	561,-

* Not for short wheelbase with trailer coupling

** Fiat Ducato identical to Peugeot J5, Citroën C 25, Peugeot Boxer, Citroën Jumper

For further adapters see www.REIMO.com

Accessories

- ① **Rear protection bar** Protects load from slipping, makes it easier to secure motorcycle **46353R 261,-**
- ② **Transport floor** Protects motorcycles from dirt from below.
Depth: 600 mm **46357 389,-**
Depth: 800 mm **46358 474,-**
- ③ **Motorcycle rail set** Consists of stand and drive-on rail, made of aluminum chequer plate. Incl. fastening material
For light motorcycles up to 150 kg **46350 514,-**
For heavy motorcycles up to 300 kg **46351 69,-**
- ④ **Lashing strap w/ ratchet & steel hook**, length approx. 4 m. We recommend 4 lashing straps per motorcycle
Lashing strap, 1 piece **46352 13,50**



Trailer couplings for motorhomes with a towing capacity of up to 2 t/3 t

Available for almost all motorhome bodies. All metal parts are KTL-coated, the cross carrier is also powder-coated. The frame extension for vehicles without or with non-load-bearing frame extensions is supplied in maximum length. It can be shortened to suit the respective overhang. Complete, disassembled assembly unit with EC type approval. Max. trailer load is 2 t.

Trailer couplings for vehicles with frame extension, 2 t towing capacity

e.g. load-bearing high/low frames, note trailer load

- ① **12,5 kN with load-bearing extension.**
Weight 70 kg **46654 599,-**

Trailer couplings for vehicles without frame extension, 2 / 3 t towing capacity

- ② **12,5 kN without load-bearing extension. Weight 30 kg**
② **Fixed ball head, 2 t towing capacity 466541 944,-**



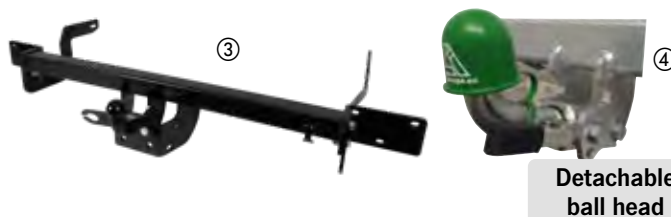
Trailer couplings for panel vans w/ Eurochassis

Specially designed trailer coupling for Fiat Ducato, Citroën Jumper and Peugeot Boxer > 07/2006, available with two different ball heads. The trailer coupling with fixed ball head is powder-coated and the one with detachable ball head is hot-dip galvanized.

Complete, disassembled assembly unit with EC type certificate. The max. trailer load is 3 t.

Trailer couplings for panel vans with Euro chassis, 3 t towing capacity Weight: approx. 20 kg

- ③ **Fixed ball head for Fiat Ducato 8 type X250 & X290**
Also suitable for foldable bike carriers. Drawbar load 100 kg **E10700 379,-**
- ③ **Fixed ball head 46578 469,-**
- ④ **Detachable ball head 465781 546,-**



Electric cable sets 13-pin for vehicles

Required for both trailer couplings and Linnepe load carriers

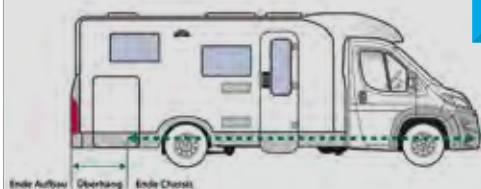
- with mechanical flasher relay 465787 99,90**
 - with Can-Bus Connection 465789 229,-**
- for Citroën/Peugeot/Fiat Jumper/Boxer/Ducato > 02/11, also for Ducato 8 **466993 229,-**

Ordering information for trailer coupling

Please always specify points 1 - 6 when ordering towbars or frame extensions, otherwise correct delivery is not possible:

1. FIN = chassis number
2. Base vehicle
3. Body manufacturer
4. Model/type designation
5. Year of construction
6. Item number

Motorhome without frame extension



With frame extension and Trailer hitch





MFT carrier system for rear box and bicycle

- Simple, quick and tool-free installation
- State-of-the-art SMD LED lighting technology
- Up to 185 cm inside length possible with optional interchangeable inserts
- High-strength, shiny and scratch-resistant plastic
- Foldable for trouble-free trunk access
- Load capacity up to 57 kg



157,-

MFT-BackCarrier base carrier

Whether your daily shopping, complete ski/golf equipment or bicycles, with the BackCarrier system you are variably positioned. Various attachments can be fitted. The Backpower bike carrier, the Backbox, the BackPack or the BackWork.

BackCarrier base carrier

Weight approx. 10 kg, max. load 82,5 kg, foldable and lockable.

440011 157,-



BackWork support frame

for BackCarrier base carriers, Weight approx. 3 kg, L 30 x W 100 x H 32 cm.

440026 95,-



BackPack transport platform for BackCarrier base carriers, platform with aluminum base. Weight approx. 14 kg, L 65 x W 136 x H 32 cm, loading area 54 x 130 cm.

440027 329,-



MFT-BackBox rear box

The BackBox accompanies you on all activities that require a little more storage space. The BackBox is attached to the BackCarrier and can also be folded when loaded. It is, of course, lockable. The LED lighting is connected via the 13-pin plug.

BackBox for BackCarrier base carrier,

L 53 x W 154 x H 74 cm, volume 300 l, weight approx. 19,5 kg, max. load 57 kg, lockable.

Silver	440012	790,-
White	440013	890,-
Black	440014	890,-



Set of 2

Extensions for BackBox. For left & right. Widening by approx. 36 cm. Volume +26 l.

Silver	440015	139,-
White	440016	139,-
Black	440017	139,-



BackSupport folding aid

for BackBox, for easier folding down of the box when loaded.

440018 75,-



MFT-BackPower bike carrier

The BackPower bike carrier was specially developed for transporting 2 e-bikes up to 30 kg and can be extended to 4 normal bikes. The BackPower is attached to the BackCarriers. The LED lighting is connected via the 13-pin plug.

BackPower bike carrier for BackCarrier,

Space for 2 bicycles, weight approx. 16 kg, L 54 x W 132 x H 90 cm, max. load 66 kg.

	440019	385,-
Extension for 3rd wheel	440020	99,-
Extension for 4th wheel	440021	141,-



FIAMMA
home is everywhere

Carry-Bike Volkswagen T6/T6.1 Pro

- Visually improved and technically reinforced
- Simple assembly and installation
- Tailgate can be opened with mounted carry bike, without bicycles

Solid anchoring at the reinforcement points of tailgate. Also suitable for models w/ a raised roof.

Carry Bike Pro VW T6/T6.1 tailgate,

Deep Black 440852 655,-



VeloSlide bike rack for rear garages

- For 2 electric bikes
- Robust and safe posture
- Very space-saving when not in use, the carrier can be completely removed
- Load capacity 70 kg
- Can be extended and retracted up to 1,35 m with one hand

Weight standard/short: approx. 20,9/19,9 kg (without mounting rails),

Standard: Dims. L195 x H80 x W40 cm **44353 1029,-**

Short: Dims. L180 x H80 x W40 cm **443002 1029,-**

Install set (mounting rails)

70 cm 3 pcs. **443531 74,-**

140 cm 3 pcs. **443532 148,-**

Accessories:

THULE VeloSlide Fork Mount Adapter Kits

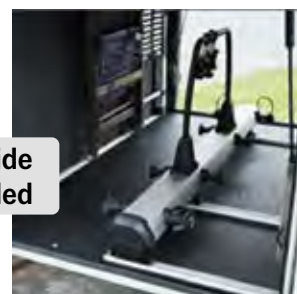
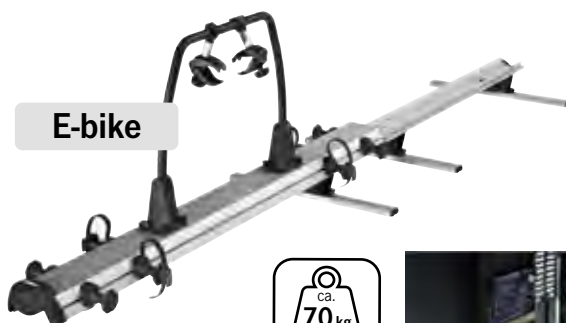
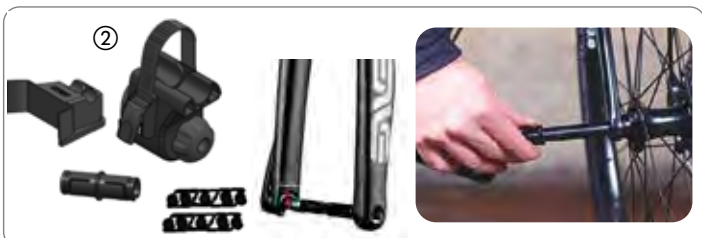
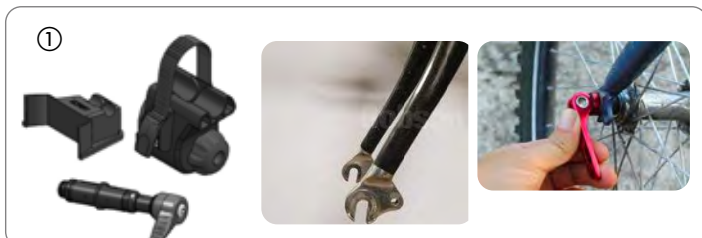
- Lowers bicycle handlebars (-15cm)
- Replaces front wheel with plug-in axle
- 2 different kits depending on axle mounting

① Quick Release Adapter

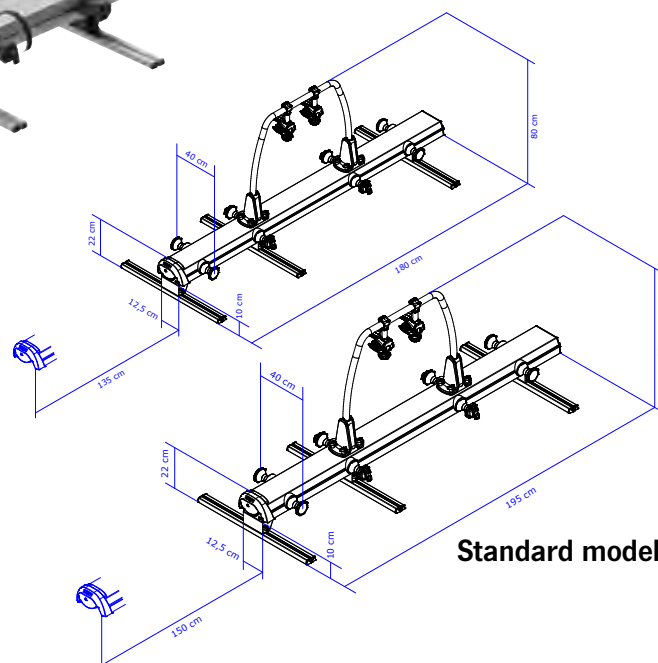
compatible w/ standard 9 mm quick-release systems **443535 92,-**

② Plug-in axle adapter

For plug-in axles, with additional adapters (12x100/110, 15x100/110, 9x100) **443536 92,-**



1029,-



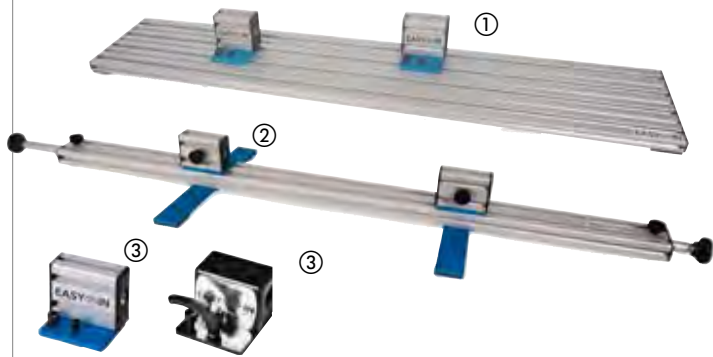
Standard model

BIKE RACK FOR REAR GARAGES



Universal bike rack for interior, trunk, rear garage

- Suitable for all vehicle types: estate car, minivan, van, caravan, motorhome
- Simple and reliable solution for transporting your bikes
- Innovative concept for the transportation of 1-4 bicycles
- Intelligent rail system
- Adjustable fork carriage for displacement over the entire length
- Fork carrier with 360° rotation for perfect positioning of your bike on the rail
- Easy installation without tools
- Made from natural and blue anodized aluminium



① Bicycle carrier EASY IN CLASSIC:

Highly stable rail with anti-slip coating, length: approx. 99 cm, width: 16 cm, thickness: 2,9 cm, weight: 3,8 kg (without accessories)
Scope of delivery: 1 rail, 2 fork carriers

Material: Aluminum **44580 309,-**

EASY IN CLASSIC 2:

Material: polyurethane + aluminum **445801 229,-**

② Bicycle carrier EASY IN Pro:

Rail equipped w/ 2 adjustable lateral fixations, length: 103 - 180 cm, width: 6 cm, thickness: 2,9 cm, weight: 3,5 kg (w/o accessories)

Scope of delivery: 1 rail, 2 fork carriers **44581 419,-**

ASY IN PRO 2:

Material: polyurethane + aluminum **445811 319,-**

③ Additional fork carrier

with 20 mm axle for each axis (see adapter) **44582 75,-**

Fork carrier 2:

Material: polyurethane + aluminum **445821 42,-**

Booster for lifting the fork carrier

④ **Booster 60 by 60 mm** **44589 29,50**

⑤ **Booster 250 by 250 mm** **445891 41,-**

⑥ Wheel support

Compatible w/ all wheel axles, 2 recesses for quick-release fasteners, fastening by clamping knob **44583 84,50**

⑦ Wheel cover

For transportation, material 100% polyester. Shoulder strap and handles. Ø 75 cm. **44588 69,-**

⑧ Adapter AD 9 x 100 for open forks

For all wheel axles with Ø 9 mm and length 100 mm **44587 27,80**

⑨ Adapter AD 15 x 100 for closed forks.

For all wheel axles w/ Ø15mm & length 100 mm **44584 16,90**

⑩ Adapter AD 15 x 110 for closed forks (BOOST standard).

For all wheel axles with Ø15 mm and length 110 mm **44585 16,90**

⑪ Adapter AD 12 x 100 for closed forks (ROAD DISC BRAKE).

For all wheel axles Ø12mm and length 100mm **44586 18,90**

* We recommend additionally securing the bike holder in the vehicle.

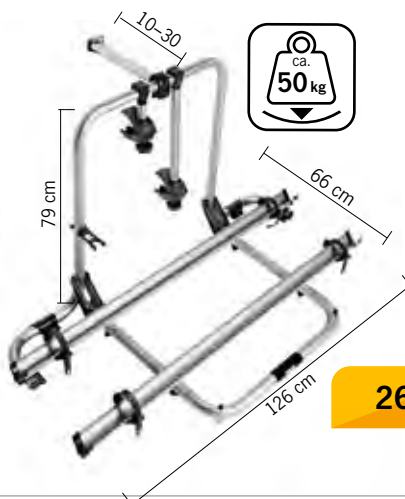


3rd wheel extension kit for Thule Sport G2

Rail and spacer, weight: 3 kg **442981 82,-**

Extension kit 4th wheel for Thule Sport G2 Garage

Rail and spacer, weight: 3 kg **442982 92,-**



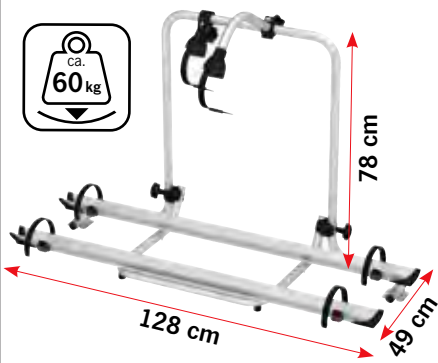
Bicycle carrier Sport G2 Garage

- Specially designed for storing bicycles in the motorhome garage
- For 2 bikes, maximum 4 bikes
- Rails can be adjusted without tools
- Load capacity 50 kg
- Can be folded up when not in use
- Load per rail max. 19 kg

Weight 5,6 kg **44340 264,-**

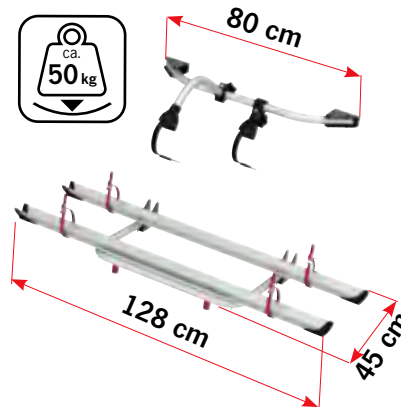
Carry-Bike Garage

- Various bike carrier models for mounting in the motorhome garage, for the safe transportation of two to four bikes
- Easy to assemble



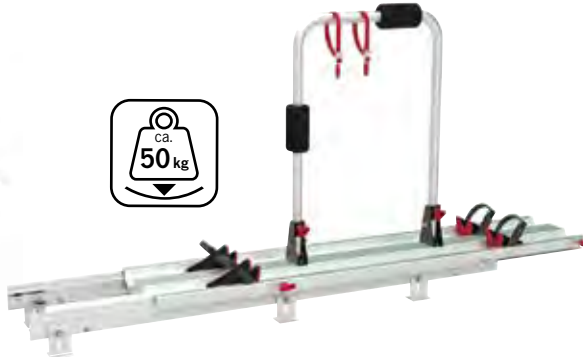
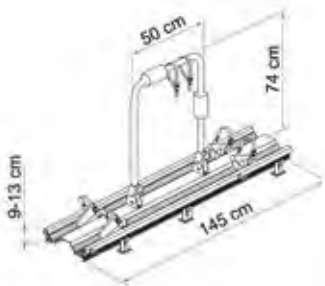
① Garage Plus:

For up to 4 bicycles. When closed, the rack only takes up 22 cm. Load capacity 60 kg.



② Garage Standard:

Bicycle rack with floor-mounted support bracket and structure for attachment to the wall or ceiling. For up to 3 bicycles. Load capacity 50 kg.



height adjustable from 9-13 cm



③ Garage Slide Pro Bike:

Extendable bike rack made of anodized aluminum. Load capacity 50 kg.



④ Garage Pack :

Simple and flexible modular system for storing bikes in the motorhome garage. Load securing with 1 wall rail 198 cm long, with 2 rings for lashing loads. For attachment to the rear garage wall



⑤ Garage Pack Plus :
Kit with fastening structure for bicycles and organizer line storage.

Organizer system:
2 aluminum rails for attaching 1 Utensilo S Height: 84 x width: 50cm and 1 Utensilo for 10 pairs of shoes.

Fig:	Model	Maximum load capacity	Weight	Number of bicycles (standard)	E-bike	Bicycle rail	Bike block	Art. no.	Price	
①	Garage Plus	60 kg	5,6 kg	2 / 4 max.	-	Rail Quick Pro	Pro S 1/Pro S 3	44460	265,-	
Accessories for Garage Plus: Bicycle rail for 3rd or 4th wheel									44426	54,-
②	Garage Standard	50kg	4,8 kg	2 / 3 max.	-	Rail Quick Pro	Pro S 1/Pro S 3	44461	227,-	
③	Garage Slide Pro Bike	50 kg	9,9 kg	2 / 2 max.	2	Rail Premium	Strip	436801	608,-	
④	Garage Pack	-	4,0 kg	2 / 3 max.	2	Rail Quick Pro	-	440511	164,-	
⑤	Garage Pack Plus	-	10,5 kg	2 / 3 max.	2	Rail Quick Pro	Pro S D1/Pro S D2	440512	444,-	

PRODUCTS FOR THE REAR GARAGE



Usable as wall or floor rail

Available in 2 lengths:
60 cm 441715
200 cm 441714



Kit Eye Premium / Corner, 2 additional eyelets

441717 11,80



Kit Eye 2 additional eyelets

44144 11,50

Rail systems for the rear garage



① **Floor/wall rail Garage Bars Premium 60**, Scope of delivery: 2 rails L.: 60cm 2 fastening straps
441715 112,--

① **Floor/wall rail Garage Bars Premium 200**, Scope of delivery: 2 rails L.: 200 x W: 6,6 x H: 1,3 cm 4 x KitEye Premium 8 pieces
441714 211,--

② **Mounting for garage wall, Garage Bars**
scope of delivery: 2 rails L.: 200 x W: 6,6 x H: 1,3 cm + 5 x KitEye 10 pieces
44143 137,--

③ **Garage Bars Corner 200**, Scope of delivery: 2 rails L.: 200 x W: 5 x H: 5 cm + 4 x KitEye Premium 8 pcs.
441716 211,--



For a secure hold for your luggage



Cargo Strap lashing system

① **Cargo Strap**, Scope of delivery: 2 plastic rails, 2 tensioning straps + 24 screws Load capacity: 20 kg
44227 36,90

② **Cargo Accessory Kit**, 4 additional hooks & 2 tension straps
442271 18,20



Clothing rail

Carry Rail clothing rail in elegant design. Anodized aluminium tube, end-stainless steel end pieces. Length 100 cm, can be shortened. 44183 68,50



Support rail for roof mounting in the rear garage

Making sensible use of storage space in rear garage

2 ceiling rails for attaching e.g. ladders, awning crank and various camping items incl. webbing with 2 Fast-Click sliders



Scope of delivery complete set: 2 support rails, 2 pairs of straps, 2 pairs of Fast-Click gliders, 4 roof fasteners, 4 star grip nuts, 4 screws

Rail length 750 mm 443991 315,--
Rail length 1.030 mm 44399 339,--

Zoombox 1 + 2 - the storage box under the bed

- Easy installation under the rear bed
- Dimensionally stable thanks to HDF shelves
- Ideal use of space

Zoombox can be easily mounted under rear bed & provides a new way of organizing your motorhome. It can be optimally secured using the 12 loops. The three compartments allow the table and chairs to be stowed separately. The safety strap with high-quality click fastener is used to secure bulky camping furniture. The extremely tear-resistant plastic fabric is dirt-resistant and washable.

- ① **Zoombox 1**,
20-38 cm height-adjustable
Dimensions: 75 cm wide, **91943** **159,-**
- ② **Zoombox 2**
Dims.: 25 cm wide, 65 cm **91944** **159,-**



from **159,-**



Folding wardrobe/Closet

- For installation in garage of caravans or motorhomes
- Very easy to assemble and lightweight

This folding cabinet has 8 rings for fastening to the walls or floor to prevent it from slipping. The stabilizers on the feet also allow it to be used outside the garage. Ideal for use in winter as it can be positioned on the outlet of the heater in the garage, making it very easy to dry wet clothes.

Folding dimensions: 104 x 52 x 13 cm, open dims.: 104x52x50 cm, weight: 3,62 kg
926292 **95,-**



Clothes rail for the rear garage

The clothes rail is available in two lengths: from 85 - 150 cm and from 115 - 220 cm.
Long version (1.150 x 40 x 40 mm)
44505 **43,99**




Bike holder for the rear garage

- Especially for e-bikes
- Easy handling
- Stable, secure stand thanks to additional rocker
- No attachment of the stand to the floor
- For tire sizes from 20"-29"
- Suitable for front and rear wheel

For e-bikes: tire width 20-60mm **443010** **59,-**
For e-bikes: with tire width 5" **443011** **69,-**

We recommend additionally securing the bikes in the vehicle with products from page 496-497.
Suitable frame holders/connectors at www.REIMO.com

Holding and lashing eyes



Lashing recess,
recessed installation w/ D-ring & strap,
L: 104 mm, H: 12 mm
44313 **13,95**



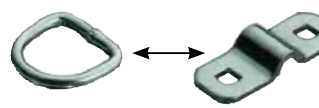
Retaining eyelet kit
made of stainless steel
35 x 30 x 20 mm
4 piece **44176** **21,80**




Metal locking bracket,
hole spacing 53 mm,
2 pcs. **29471** **9,30**
1 pcs. (lose) **29471L** **4,30**



Aluminum lashing plate for fitting
300 daN, Ø44,5mm, height 10,2 mm. May only be used with fitting 44320 or 44317.
44312 **12,90**



Lashing plate, load cap.: 200 daN,
height: 11 mm
44316 **3,60**
Tab for D-ring, hole spacing 45 mm
44315 **3,20**




① **Fitting eyelet**
Load capacity 300 daN,
Ø inside: 29,5 mm
44320 **8,40**
② **Triangular eyelet**
Load capacity 400 daN, Ø
inside: approx. 28 mm
44317 **10,90**



Transport lug w/ leaf spring, galvanized steel Dims.: W 130 x H 90 mm
467186 **23,20**



Kit Eye Premium / corner,
2 brackets for lashing with a practical quick-release fastener, for Fiamma Garage-Bars Premium and Garage-Bars Corner
441717 **11,80**



Lashing plate, load cap.: 200 daN,
height: 11 mm
44314 **10,30**

System rails & accessories - a secure hold for your equipment

- Professional with a high level of safety
- System rails for walls, corners and on the floor
- Lightweight and compact

- Easy handling, high lashing strength,
- Versatile accessories
- Suitable for wheelchair attachment

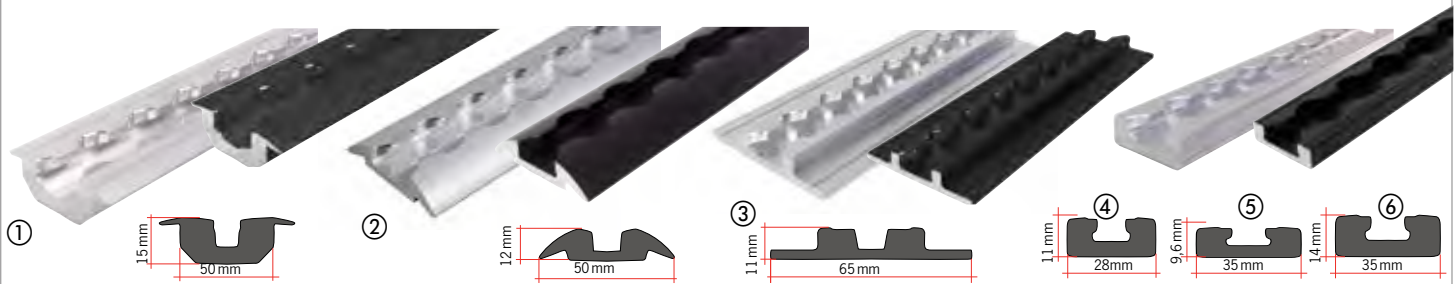


Fig.	Model	Use	Length	W x H mm	Weight	Art. no. silver	Price	Art. no. black	Price
①	Retractable corner rail	For corner mounting or recessed installation.	200 cm	49 x 16	2 kg	44301	89,90 GP* 44,95 / 1 m	44594	97,- GP* 48,50 / 1 m
②	Half-round screw-on rail	For wall and floor mounting. Rounded edges	200 cm	50 x 11,5	1,4 kg	44300	62,50 GP* 31,25 / 1 m	44577	79,- GP* 39,50 / 1 m
③	Extra wide rail	For screwing on or gluing. For wall and floor mounting.	200 cm	65 x 11	1,6 kg	44302	71,- GP* 35,50 / 1 m	44592	84,20 GP* 42,10 / 1 m
④	Extra narrow rail	For screwing on or recessing. For wall and floor mounting.	200 cm	28 x 11	0,9 kg	44596	61,- GP* 30,50 / 1 m	44578	78,- GP* 39,00 / 1 m
⑤	Narrow rail	For screwing on or recessing. For wall and floor mounting.	200 cm	34,5 x 9,6	1,1 kg	44597	68,- GP* 34,00 / 1 m	44579	75,80 GP* 37,90 / 1 m
⑥	Narrow rail	For screwing on or recessing. For wall and floor mounting.	200 cm	34,5 x 13,5	1,8 kg	44303	82,- GP* 41,00 / 1 m	44593	90,- GP* 45,00 / 1 m



- ⑦ **Cover cap/end piece anthracite**
for ② 44577 **445771** 3,-
- ⑧ **Cover cap/end piece black**
for ② 44300+44577 **445770** 3,-
- ⑨ **Cover cap/end piece black**
for ④ 44578+44596 **445780** 3,-

Fasteners for system rails ① to ⑥

<p>Heavy duty eyelet Load capacity: 100 daN 44324 28,70</p>	<p>Holder for rectangular tubes Load cap.: 800 daN, w/ aluminum profile, for 65 mm squared timber or rectangular tubes 44326 40,20</p>	<p>Screw fitting w/ sheet metal nut M8 Clamping range 0-20 mm, galvanized steel 160 daN 44321 15,90</p>
<p>Hook fitting suitable for wall and ceiling rails, load capacity: 50 daN, do not use as a lashing point. 44325 22,60</p>	<p>Screw with stop nut M8 Clamping range 0-54 mm, galvanized steel 500 daN 44322 13,20</p>	<p>Spacer sleeves - so that the wall does not compress when screwed tight. Made of plastic. Ø24 mm, length: 28 mm, hole Ø: 8,4 mm Per pcs. A5408453 7,50</p>

CARBEST

Rubber tensioner w/ metal hook

- Package with 20 pieces

Length 38 cm **442202** 19,-
Length 53 cm **442203** 20,95



Tensioning rubber w/ plastic hooks 1 piece
60 cm **44221** 4,10
100 cm **44222** 9,95



Clamping rubber with steel hook,
1 piece
60 cm **44219** 2,15

ModulFix Basic clamping rubber system

The multifunctional ModulFix Basic tensioning strap system adapts almost 100% to your needs. The tensioning strap can be adjusted to the desired length and fixed with the adapter of your choice - whether with Velcro or hooks. Perfect for moving, bulk shopping, cycling or camping. For even more fastening options, you can also connect several rubber clamping sets together.

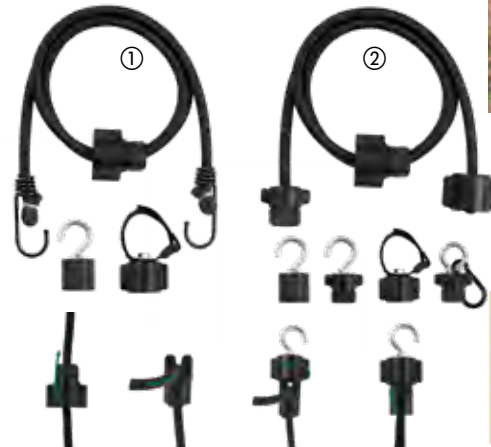


① Basic set

Scope of delivery: 1 clamping rubber, 2 adapters for length adjustment, 2 hooks on clamping rubber, 1 adapter w/ Velcro fastener (internal thread), 1 adapter w/ hook (internal thread). Diameter: Ø 8 mm
442191 11,-

② Premium set

Scope of delivery: 1 elastic band, 2 adapters for fixing, 2 adapters on the elastic band (1x with internal thread, 1x with external thread), 1 adapter with Velcro fastener (internal thread), 1 adapter with stainless steel hook (internal thread), 1 adapter with eyelet and carabiner (external thread), 1 adapter with hook (external thread), 1 cotton bag.
442192 15,60



① Strap for sleeping roofs 60 x 2,5 cm

Black, stainless steel buckle, 1 piece **442081 5,50**

② Rubberized tensioning straps 2,0 m x 1,5 cm

High adhesion to the belt strap, 2 pcs. **44200 11,95**

Straps for quick attachment suitable e.g. for bike racks. Width 1,3 cm.

- ③ L 0,40 m with nylon buckle, 1 piece **44232 1,95**
- ④ L 0,40 m, red w/ stainless steel buckle, 2 pcs. **44237 10,60**
- L 0,40 m, black, stainless steel cord, 2 pcs. **442377 10,-**
- ⑤ L 2,00 m, red with stainless steel buckle, 1 piece **442378 9,90**

⑥ Tension belts

With metal buckle. Load cap. up to 100 daN. Width 2,5 cm.

- Length 1,10 m, 2 pcs. **442011 4,70**
- Länge 2,50 m, 2 pcs. **442012 6,30**
- Länge 5,00 m, 1 pc. **442013 4,50**

⑦ REIMO tension belts, loadable up to 150 kg

With sturdy metal buckle, width 2,5 cm. Price per piece.

- Length 0,60 m for sleeping roofs **44208 5,10**
- Length 0,80 m for gas cylinders **740091L 5,30**
- Length 1,10 m for gas cylinders **74009 5,20**
- Length 2,20 m **44216 6,20**
- Length 6,00 m **44207 8,50**
- Belt strap, running meter without buckle **29443 1,45**
- Buckle, for belt strap 25 mm **29442 2,40**

Lashing and ratchet straps for optimum strap tension

- High tensile load
- Perfect load securing in no time at all

100 daN = approx. 102 kg

from 5,95



① Heavy-duty ratchet strap 3,0 m x 5,0 cm
 With steel claws, loadable up to 500 daN. Weight 1,64 kg. 1 piece
44332 41,-



② Ratchet strap 4,0 m x 2,5 cm
 With ratchet & steel hook, 180 daN. 1 piece
46352 13,50



③ Ratchet strap 5,0 m x 2,5 cm
 With ratchet and steel hook. Webbing with REIMO logo. 1 piece
44205 10,10



④ Ratchet straps, loadable up to 250 daN
 With steel hook & rubberized ratchet handle. Width 2,5 cm. Length 2,5 m, 1 piece
442010 5,95



Tensile strength daN

daN, decanewton (10 Newton) is a unit used, for example, in lifting technology or load securing to indicate the load-bearing capacity or breaking strength of ropes/belts (DIN 61360: Safe use of slings).

100 daN = approx. 102 kg

Quick release Jet Rope

w/ ratchet function for tents, wind protection etc. Usable length approx. 1,90 m, max. load 30 kg
936491 7,90



BICYCLE COVERS

HINDERMANN



Basic Zwoo bicycle protection cover for motorhomes

3-D shaped cover that is pulled up from the rear towards vehicle and thus also protects underside of bike rack, but is not completely closed. At least one bicycle handlebar must be positioned crosswise. With rubber tensioners. Clear glass pocket for warning sign.

For max. 3 bikes, L:1,88m x H:1,70m x D:0,46m **44286** **85,-**
 For max. 4 bikes, L:1,88m x H:1,70m x D:0,66m **442861** **89,-**

HINDERMANN



Concept Zwoo all-round closed bicycle cover

Bike rack and bikes are protected from rain and dirt. Two zippers for the grab rails are attached at different heights. Adaptation to different carriers is possible. Simple and convenient installation. With reflective strips. Clear glass pocket for warning sign.

For max. 3 bikes, L:1,93m x H:1,90m x D:0,41m **44287** **95,-**
 For max. 4 bikes, L:1,93m x H:1,90m x D:0,61m **442871** **109,-**
 For max. 2 e-bikes, L:2,14m x H:1,90m x D:0,64m **442872** **105,-**

HINDERMANN



Bicycle protective cover City

- Material: Polyester 210D, with high-quality PU coating on the back

Optimized for use on panel vans

High-quality protective cover that is pulled on from rear towards vehicle and thus also protects underside of the bike rack from dirt. With 2 rubber tensioners already pulled in at the rear. With sewn-on clear glass pocket for warning sign as standard, which can also be used to attach

ADDITIONAL BELTS. (Warning sign not included in scope of delivery)
 Color: Graphite grey 2-3 bicycles **442851** **69,-**



3 bicycles

HINDERMANN

Bicycle protective cover Universal Zwoo

- Universal protective cover
- Can be used over caravan drawbar or rear carrier
- For e-bikes or scooters
- Integrated elastic band

High-quality cover to protect your bikes during transportation. Integrated pocket for warning sign. Hemstitch along the lower edge for the loose elastic band. Color: Grey

For 2 e-bikes, approx. W 214 x H 131 x D 680 cm **442852** **89,-**
 For 3 bicycles, approx. w 200 x H 131 x D 490-930 cm **442853** **95,-**

THULE



Bike Cover - bike cover

- With integrated pocket for warning sign
- Waterproof ripstop polyester

High-quality cover to protect your bikes during transportation. Integrated pocket for warning sign, incl. storage bag.

Color: Black For 2 - 3 wheels **44278** **105,-**
 For 4 wheels **44277** **114,-**

HINDERMANN



Accessories for a secure hold

① Adjustable straps for bike racks, w/ hooks on both sides for attaching to eyelets of warning sign pockets. Adjustable length. Set: 2 pieces. **442863** **12,50**

② Adjustable straps for bike carriers, w/ snap hooks For all-round attachment w/ snap hooks. Adjustable length, universally applicable. Set: 2 pieces. **442864** **12,50**



29,95



CARBEST

Bike Cover - bicycle protection cover for caravan drawbar

- For 2-3 bicycles
- Waterproof seam

With inner strap for fastening. Waterproof seams. Material: polyester. Packing bag included. Color dark grey. Weight: app. 0,8 kg

440756 29,95



from 39,-



CARBEST

Bike Cover - bicycle cover for motorhomes

- Includes pocket for warning sign with flap
- Waterproof with waterproof seams
- Elastic band with hook

Waterproof seams. Material: polyester. Packing bag included. Color: black.

For 2-3 bikes, Weight 1,2 kg 440754 39,-
For 4 wheels, Weight 1,4 kg 440755 46,-

Bike covers Bike Cover Super, S & Premium S

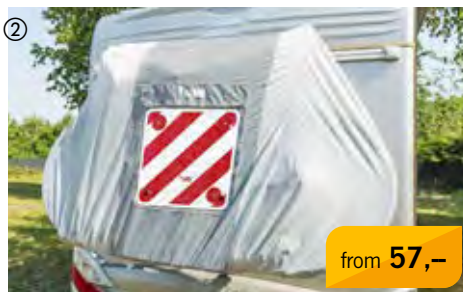
- No soiling while driving
- Protection against the weather
- Made from reinforced, resin-coated, water-repellent and lightweight polyester
- With sewn-in pocket for the optional warning sign as standard
- Two-colored



Warning signs not included!



① **BIKE COVER SUPER:**
New polyester fabric w/ 300D polyurethane coating, opaque & weatherproof. Closure on underside with elastic band and metal hooks.
For 4 wheels 440638 92,-



② **BIKE COVER 4:**
Adapts to any volume thanks to the adjustable elastic straps and metal hooks.
Up to 3 wheels 44469 57,-
For 4 wheels 44470 65,-

from 57,-



③ **BIKE COVER PREMIUM**
For complete protection of bicycles. Closure with side zipper and rear Velcro strap.
For 4 wheels 44471 84,-

Note: Not suitable for bike racks whose profile (or the bicycles to be transported) exceeds the vehicle width or covers the rear lighting.



Bike Cover Bicycle cover for caravan drawbar

- Protects the wheels from dirt
- Elastic band with stopper for secure lacing
- Made of reinforced, resin-coated, water-repellent and lightweight polyester

Hood system for the Caravan/XLA and Active series of the Carry-Bike. For 2 bikes, Color: grey

44472 53,-

Warning signs for rear carrier & protruding load

Always mount warning signs so that the lettering is legible.



Warning sign 50 x 50 cm
Lightweight plastic version with four reflectors, non-reflective surface. For protruding loads. Not approved for Italy and Spain.
47116 12,80



Aluminum warning sign 50 x 50 cm for Italy. For bike racks & extra-long loads. Five stripes. Reflective surface. Easy to attach.
47117 33,80



Aluminum warning sign 50 x 50 cm for Spain. For bike racks and extra-long loads. Three stripes. Reflective surface. Easy to attach.
471171 29,90

Reversible warning sign for Italy & Spain
Aluminum, 50 x 50 cm. For bike racks and extra-long loads. Five or seven stripes. Reflective surface. Easy to attach.
471174 41,95

NOTE: Warning plates not included with the bicycle protective covers!



119,-

Kit Frame Cargo Back

Specified payload of your bike rack minus tare weight of box = max. load capacity

The nylon luggage box - weatherproof and can be stowed away small

- Made from tear-resistant, water-repellent polyester
- Thanks to the new fastening system, it also fits on the Frame and DJ Carry-Bike series
- Quick assembly and dismantling
- Folds up very small

Cargo Back luggage box

For transporting tents, camping chairs & much more. The box adapts to the size of the contents. Concealed YKK zippers. Dims.: approx. L 120 x D 35 x H 70 cm
Capacity: 285 liters,
Weight 1,4 kg

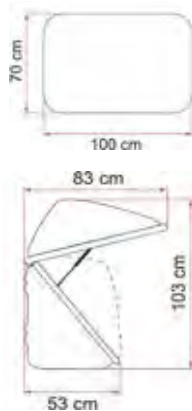
440639 119,-

Kit Frame Cargo Back

Makes loading the Cargo Back easier. Interlocking aluminum tubes are used for reinforcement. When not in use, they can be stored compactly. Open dimensions: L 119 x D 32 x H 69 cm, closed dimensions: L 69 x D 7 x H 17 cm
Weight: 1 kg.

441451 73,-

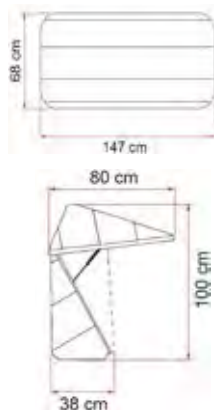
Luggage box with 320 liters



Rear luggage box Ultra Box 320

Width: 100 cm, height: 70 cm,
Depth: 53 cm, weight: approx. 12 kg.

44022 599,-



Spacious luggage box with 360 liters

Ultra Box 360 rear luggage box

- Luggage boxes for motorhomes & minibuses
- Made from high-quality ABS-Plus plastic
- Impact-resistant and weatherproof
- Safety net included

Ultra Box 360

Width: 147, height: 70, depth: 38 cm,
Weight: approx. 14 kg.

44027 677,-

The largest - with 500 liters



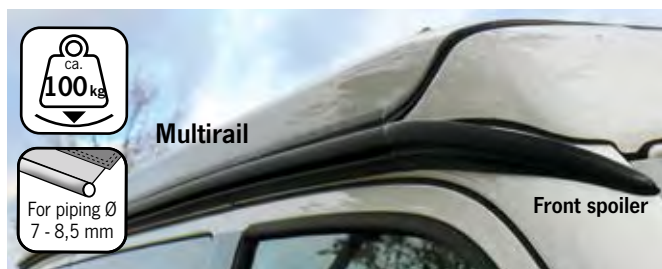
Ultra Box 500 - w/ 500 liters of XXL storage space

- Huge 500 liter XXL box
- For alcoves and semi-integrated motorhomes
- Stainless steel hinges
- With seals to prevent water ingress

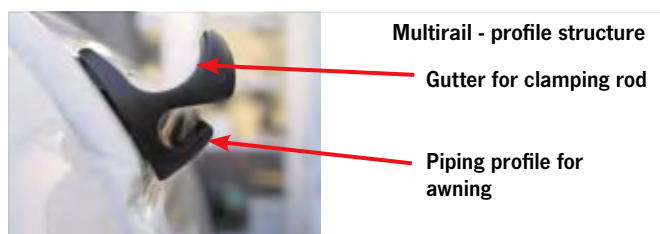
Robust & impact-resistant made of high-quality ABS plastic. Strong walls & resistant to ageing. With safety net to secure the luggage
With mounting kit for bike rack

44019 799,-

Multirail - rain gutter, sun sail and roof rack attachment in one



Water drainage via spoiler profile



Awning mounting with clamping rod & retractable piping

NOTE: The matching spoiler set with screws and installation instructions must be ordered separately.



Spoiler set for Multirail VW/Mercedes/Citroën(90155)

- Rain gutter for canopy and roof rack
- Easy attachment of awning and awning with clamping rod or pull-in keder
- Easy installation of self-adhesive spoiler profiles
- The aluminum rail is already pre-drilled
- Support of roof loads up to 100 kg
- For piping thickness 7-8,5 mm

In conjunction with a conventional roof rack, you can use it to transport bulky goods such as kayaks, bicycles or surfboards. The **Multirail** can also be fitted to vehicles w/ sleeper or pop-up roofs. Max. roof load here is 50 kg, approved by VW. The **Multirail** protects you from rainwater run-off when the side windows and doors are open thanks to the spoiler profile (please order separately).

The Multirail is attached to the vehicle with a special adhesive (Sikaflex 554, see page 436).

Vehicle type	Model	Multirail art. no.	Price ¹	Spoiler set* art. no.	Price
Multirail Ford V710 2830mm	Short wheelbase right	90193	427,-	90154	69,60
	Short wheelbase left	901931	427,-	90155	69,60
For Volkswagen T4/T5/T6, special version	KR/SWB left (driver's side)	901561	256,-	90154	69,60
	KR/SWB right (passenger's side)	90156	256,-	90155	69,60
	LR/LWB left/right	90157	282,-	90154 left 90155 right	69,60 69,60
For Mercedes-Benz Vito, Viano, V-Class, Marco Polo, Metris, vehicle length 4.990/5.140 mm, all from 2003 onwards	Left (driver's side)	901851	356,-	90154	69,60
	Right (passenger's side)	90185	356,-	90155	69,60
For Renault Trafic, Nissan NV 300, Fiat Talento, ≥ 8/2014 and Opel Vivaro B, model year 8/2014 - 3/2019 all shortwheelbase	Right (passenger's side)	90184	255,-	901550	39,90
For Citroën Spacetourer/Jumpy, Peugeot Traveller/Expert, Toyota Proace, all from 3/2016; Opel Vivaro C/Zafira Life from autumn 2019 & Pössl Campster/Vanster/Campy vehicle length 4.950 mm	Left (driver's side)	901780	399,-	90154	69,60
	Right (passenger's side)	90178	399,-	90155	69,60
Multirail Universal, can be shortened	Left or right	90153	199,-	901550	39,90

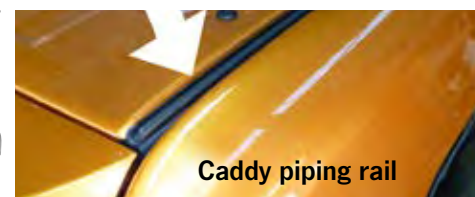
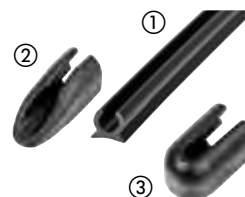
¹ =Plus freight flat rate Multirail (1 - 10 pieces) V25 25,90

* Spoiler set consisting of front spoiler, rear end (self-adhesive), stainless steel screws and assembly instructions must be ordered separately.

① Volkswagen Caddy piping rail for retracting awning or bus awning
Fits Caddy year 2003-2020 with and without sleeping roof. If the sleeping roof is present, it only needs to be unlocked in order to pull the piping into the rail. The plastic rail is glued in with Sikaflex 554.
For piping Ø 7,5 mm, length 3 meters 901151 39,95

NEW Accessories for piping rail 901151:

- ② Threading aid / end piece, black plastic 901152 9,95
- ③ End piece / end cap, black plastic 901153 9,95



Caddy piping rail

ROOF RACK SYSTEMS



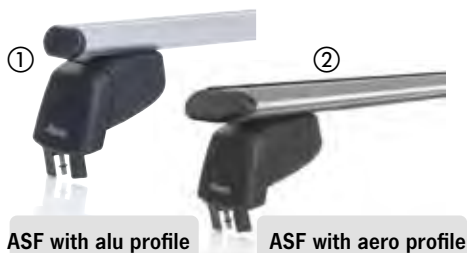
Ideal for mounting roof tents. All roof tents on pages 70 to 79.

Atera

ATERA SIGNO - ROOF/RAILING BASE CARRIER

- Atera Signo is the perfect base for sports equipment attachments such as ski and bike racks, roof boxes and roof tents
- Complete sets - support legs (4 pcs.) & support tubes (2 pcs.) - pre-assembled in package
- Surface protection thanks to rubberized clamping jaws

Material: Glass fiber reinforced plastic / aluminum / rubber lips.
Maximum load cap.: 100 kg



ASF with alu profile

ASF with aero profile



DXT with aero profile



ASS with alu profile



ASS with aero profile

Atera Signo fixed carrier ASF - basic carrier for the vehicle roof:

Highly stable roof support system for exact attachment to mounting points on the car roof specified by the vehicle manufacturer. Choice of support tube and loading width.

Atera Signo fixed carrier DXT - basic carrier for the vehicle roof:

The DXT fixed support is the successor to the current ASF fixed support. It is lockable on all 4 support legs and has been modified in design. The corresponding keys are supplied.

Atera Signo special carrier ASS - base carrier for free-standing railing:

Compact roof support system for every carrier attachment & every roof box. Various support tubes & loading widths to choose from. Mounting on overlying roof profile / small railing.

The Atera multi-tooth key brings the Atera carrier systems onto the roof and under lock and key at the same time. With a coded toothed ring, the carriers are fastened without tools and at the same time secured against theft.

Fig.	Fastening	type	Support tube	Vehicle type	Article number	Price
③	Fixed point carrier	DXT	Aeroprofile	Citroën Jumpy >16, Citroën Spacetourer >16, Opel Vivaro/Zafira Life >19, Peugeot Traveller >16, Toyota Proace >16	41282	339,-
①	Fixed point carrier	ASF	Aluminum	Citroën Berlingo >18	41283	316,-
⑤	Special carrier railing	ASS	Aeroprofile	Citroën Berlingo >18 (with railing)	41284	339,-
③	Fixed point carrier	DXT	Aeroprofile	Ford Transit Custom (normal roof) >12, Ford Tourneo Custom >13	41285	339,-
④	free-standing railing	ASS	Aluminum	Mercedes-Benz Viano >03 (with railing)	41286	316,-
①	Fixed point carrier	ASF	Aluminum	Renault Kangoo 97-21 (also for long version)	41288	316,-
②	Fixed point carrier	ASF	Aeroprofile	Volkswagen Caddy 15-20 (without railing)	41293	339,-
⑤	free-standing railing	ASS	Aeroprofile	Volkswagen Caddy 15-20 (with railing)	41294	339,-
⑤	free-standing railing	ASS	Aeroprofile	Volkswagen Caddy >20 (with railing)	41295	339,-
③	Fixed point carrier	DXT	Aeroprofile	Volkswagen Transporter 5/6/6.1	41296	339,-
③	Fixed point carrier	DXT	Aeroprofile	Volkswagen ID.Buzz >2023	41299	369,-
③	Fixed point carrier	DXT	Aeroprofile	Volkswagen Multivan >2021	41298	429,-

Other carriers available on request



Thule Fixpoint Evo - roof rack system

- Easy to install roof rack set
- Removable system
- Avail. in 2 heights & optional height ext. set
- Modern design

Easy to (de)install roof bar set, ergonomic torque limiter indicates when the carrier is securely and properly attached to your vehicle. Attaches to your vehicle with Thule One-Key locks (included).

Add the 30 mm elevation set to be able to mount the bracket over a skylight or solar panels.

The ProBar and roof rack feet can be easily removed. The rest of the set can be fitted with an aesthetic cover

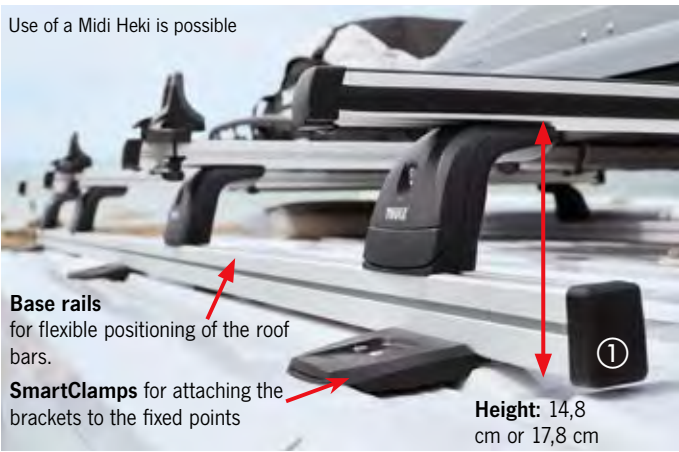


Scope of delivery:

- 2 x Thule ProBar 1,50 m, 4 x Fixpoint Evo Foot, 4 x Fixpoint Evo Kit, 4 x Fixpoint Evo Kit Cover, 1 x torque wrench, 1 x one-key lock set (4 pieces).

Fixpoint Evo for Ford Transit H3	41023	414,-
Fixpoint Evo Extra-High Extension Kit 30 mm	41026	24,-
Kit Cover	41027	19,-

Use of a Midi Heki is possible



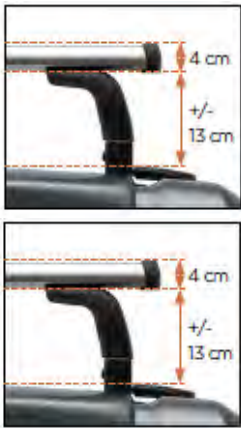
Base rails for flexible positioning of the roof bars.
SmartClamps for attaching the brackets to the fixed points

Height: 14,8 cm or 17,8 cm

SmartClamp roof rack system for Fiat Ducato

- 2 aluminum longitudinal beam rails for mounting
2 or more load cross members
- Can be attached to the original mounting points with the SmartClamps without drilling
- The longitudinal rails ① allow flexible positioning of the carrier system
- Suitable for Fiat Ducato / Citroën Jumper / Peugeot Boxer and Opel Movano ≥ 2006 with high roof H2
- Option for attaching the Thule awning 6200/6300

Scope of delivery: 2 x base rails 1,64 m, 4 x SmartClamps, 2 x awning connection plates and fastening material



MOTOR VEHICLE	L2 (5400)		L3 (6000)		L4 (6400)	
	Without awning	With awning 3,25 m	Without awning	With awning 3,75 m	Without awning	With awning 4,00 m
	Base rails 4-point system max. load 100 kg (2x Thule ProBar)					
Art. no.	41067					
Price	399,-					
	Base rails 6 point system max. load 150 kg (4 x Thule ProBar)					
Item no.	41083	41103	41083	41103	41083	41103
Price	469,-	429,-	469,-	429,-	469,-	429,-
	Rails 8 point system max. load 200 kg (6 x Thule ProBar)					
Art. no.	41084		41104		41085	
Price	539,-		469,-		549,-	



Thule Snow Pack 324, carrier for 4 pairs of skis or 2 snowboards

For mounting on above-mentioned roof rack. Safe transportation thanks to ultra-soft rubber pads. Easy to open even w/ gloves thanks to large button. One-key system for securing skis & carrier to roof. For 4 pairs of skis or 2 snowboards.

41077 222,-



Thule Force XT Roof boxes

With this black, lockable roof box, you can make optimum use of the space. Installation is easy thanks to the PowerClick quick-fit system. Convenient opening and closing thanks to the locking button. Easy access from both sides of the vehicle.

S (300 liters) - L 139 x W 89,5 x H 39 cm, weight: approx. 14,3 kg. **40012 475,-**

M (400 liters) - L 175 x W 82 x H 45,5 cm, weight: approx. 16,4 kg. **40013 569,-**

L (450 liters) - L 190 x W 84 x H 46 cm, weight: approx. 18,7 kg. **40014 619,-**



Thule Hullavator Pro, kayak carrier w/ lift support

Kayak carrier for mounting on above Thule Roof Rack system (requires cross & side rails) Mounting on right and/or left of the system. With fold-out arms, carrier can be lowered up to 1 meter. The lift support enables comfortable handling of kayak. Built-in gas pressure springs relieve you of 18 kg of weight. 8 padded support points provide maximum protection for the kayaks. Provides space for 1 kayak with a maximum width of 80 cm and a maximum weight of 35 kg.

41086 904,-



Thule Roof Rack retrofit kit

for subsequent roof awning installation (type 6300, Page 164) for existing Roof Rack basic. Set consisting of adapter, connecting pieces & sealing tape.

Van 5,4 m 430094 154,-
Van 6/6,4 m 430095 164,-

Awning adapter for this carrier system Thule awnings see page 167



One key for all your Thule products

Replace the locking cylinders and use a single key for all Thule products.

pack of 4	442794	39,-
pack of 6	442795	46,-
pack of 8	442796	53,-
pack of 12	442797	80,-
pack of 16	442798	105,-

REIMO active support systems for pitched roofs and flat roofs



- Flat aluminum profile
- Harmoniously adapted to the roof contour
- Minimal change in overall height
- Serves as a mount for roof racks
- For retrofitting on REIMO pitched roofs
- Base support barely visible
- Is screwed and glued with stable counter profile

- ① **Active support profile 198 cm long** For mounting on sleeping / high roofs. Bar undrilled. 1 piece **41300 59,10**
- ② **Active support profile 40 cm, set of 4**
For mounting on REIMO sleeper/high roofs, e.g. T4/T5 Superflat. Drilled and countersunk, with counter plate and stainless steel screws
Set: 4 rails, 4 plates, screws **41303 290,-**

Basic equipment for all vehicle types with REIMO Active rail profile

- ③ **Atera Signo fixed carrier ASF - basic carrier for the vehicle roof:**
Highly stable roof support system for mounting in the REIMO active carrier profile. Material: glass fiber reinforced plastic / aluminum / rubber lips.
Maximum load: 100 kg
Fixed point support ASF **41283 316,-**
For further information see page 502



- ④ **Matching adapter kit for mounting the fixed carrier in the REIMO Active rail** **41308 72,-**



Roof rack for REIMO Multirail

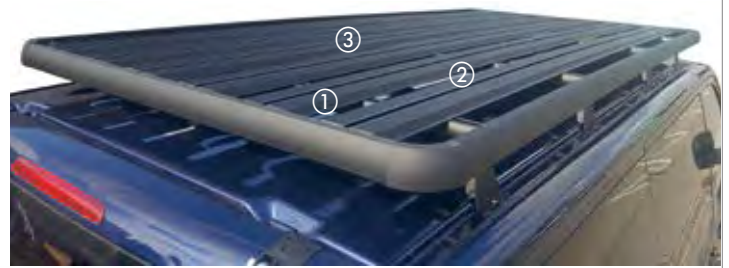
Support feet (2 pieces) especially suitable for REIMO Multirail rail, REIMO Active rail and for rain gutter attachment. Max. load capacity 100 kg. Pair of support feet: Height 20 cm
41180 117,-

Support tube: Length 165 cm for above support leg. Square tube 32 x 22 mm, black plastic coating. TÜV-tested. Roof rack must be removed before opening sleeping roof.
per piece **41125 48,-**

Roof rails for Fiat Ducato, Citroën Jumper, Peugeot Boxer from 07/2006 onwards

Simple installation on existing mounting points on vehicle, so no drilling work on roof is necessary. Universally expandable w/ optional accessories such as cross-bars, planks, roof box, spare wheel holder, kayak & surf kit, work lights. Powder-coated aluminum tube in semi-gloss black. Weight approx. 12 kg, load cap.: 200 kg distributed over 4 crossbars.

- ① **Roof rails, width approx. 1.670 mm**
Length 3.000 mm **42169** **1262,-**
Length 3.600 mm **421691** **1578,-**
- ② **Crossbar, 1.600 mm, price per pair** **421692** **253,-**
- ③ **Plank, length 2.930 mm for 42169** **421693** **137,-**
Plank, Length 3.530 mm for 421691 **421694** **149,-**



Roof rails Style for Ducato panel van from 2007 onwards

- Aerodynamic shape
 - Without drilling
 - Any number of crossbars (optional)
 - Awning installation Thule Series 5 & Fiamma F45 possible
 - Aluminum
 - 100 kg load cap. per pair of cross members
 - Max. load capacity 200 kg
- ① **Roof rails**
Wheelbase: 4.035 mm **42151** **1355,-**
Wheelbase: 3.450 mm **42152** **1355,-**
 - ② **Crossbar, 2 pieces**
Aluminum, incl. mounting material **421521** **195,50**
 - ③ **Adapter** for mounting Thule 5 series wall awning & Fiamma F45 (please order Thule & Fiamma awning adapters separately) **421522** **119,-**
 - ④ **Raise crossbar** Height: 60 mm
1 set **42159** **66,70**

Roof rails for Fiat Ducato, Citroën Jumper and Peugeot Boxer vans



- Mounting on standard mounting points of the vehicle roof - without drilling
- With 3 or 4 support legs and 4 crossbars
- Load capacity (distributed) 100 kg
- Aluminum
- Suitable for awning mounting Omnistor Series 6 without adapter

- ① **Railing for Fiat Ducato from 2006 onwards**
Vehicle length: 5.990mm. **42155** **1019,-**
- ② **Extension for roof rails**
From vehicle length 5.990mm to 6.360mm **42158** **44,90**



Walkway plank

- Made from non-slip checker plate
- Length: 250 cm Width: 25 cm
- Load capacity 100 kg

Sturdy aluminum walk-on guardrail. For roof rails with crossbars. Complete with fastening material. Load capacity 100 kg, weight 5 kg
42145 **277,-**



Accessories for roof rails

- ① **Surfboard carrier kit** For existing roof rails w/ crossbars.
Scope of delivery: 2 surfboard holders, 2 mast holders w/ tensioning straps, mounting material
42139 **244,-**
- ② **Kayak carrier kit** Rubber-coated steel with steel mast holder. Suitable for roof rail crossbars.
Scope of delivery: 2 kayak holders, 2 tensioning straps, 2 mast holders with tensioning straps, mounting material
42143 **231,-**



Universal roof rails for motorhomes

- Easy to shorten
- Load capacity 70 kg
- Anodized in aluminium

- ① **Roof rails with oval profiles**
Standard length: 3 meters.
A White **41116** **239,-**
B Grey **41117** **239,-**



- ② **Cross rack**
For roof rails ① made of aluminium. Length 2,25 meters. Easy to shorten.
2 pieces **41118** **239,-**



Support bars Fixing Bar Pro L

- Ideal for solar cells or roof boxes
- Length 240 cm, can be shortened as required
- Made of extruded aluminum
- Mounting directly on the vehicle
- Load capacity: 80 kg per pair



Suitable for mounting awning F65. See kit for fixing bar no. 43470 in the awnings section

Scope of delivery: Profile with 2 fastening elements, painted white.

41114 79,-



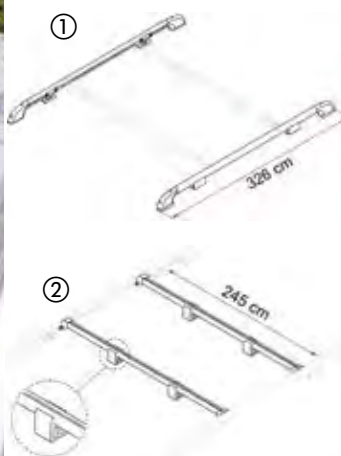
Roof rails for caravans & motorhomes

① **Roof rail**

- Elegant railing poles, 300 cm, can be shortened as required
- Incl. plastic end pieces

Scope of delivery: 2 railing parts (300 cm long) with end pieces and mounting material

Grey 41100 293,-



② **Matching accessories: Fixing Bar Rail**

- Length 245 cm, can be shortened as required
- Load capacity: 50 kg per pair
- Also suitable for Roof Rail Pro 3 and 4

Scope of delivery: 2 support bars with 2 mounting blocks each and mounting material.

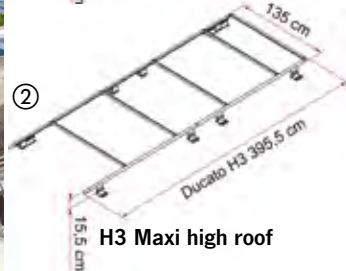
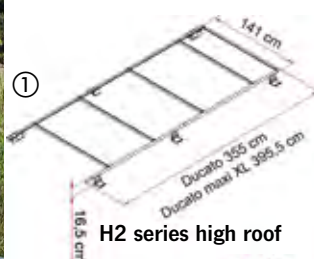
Grey 41101 212,-



Awnings can be fitted on the left and right with additional adapter (item no.: 43716)

Roof rack incl. adapter for awning F65 on panel van

- For short and long wheelbase
- Railing can be shortened
- Mounting on the original points
- Mounting without drilling
- For roof awning F65 right side
- With 4 crossbars
- Load capacity 100 kg



For Fiat Ducato, Peugeot Boxer and Citroën Jumper from 2006 onwards

① **Roof Rail Ducato for roof height H2, length L1/L2/L3**

Silver 41099 802,-
Black 41009 957,-

Roof Rail Ducato Maxi XL for roof height H2, length L4

410991 947,-

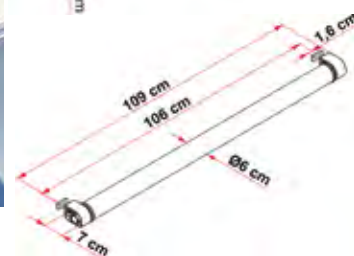
② **Roof Rail Ducato H3 for roof height H3, length L3/L4**

Silver 410990 979,-

Black 440689 979,-

Additional adapter for awning F65/F85

43716 140,-



- ② **Roller Roof Rail** Simplifies the loading of canoes, kayaks or other objects onto roof racks. Cannot be used with round tubes. 41102 175,-

**Compact, foldable extension ladder
2,10 m high**

- Material: Aluminum
 - 6 levels
 - Load cap.: 150 kg
- Dims. when open: 210x44,5x6 cm
Closed dims.: 210x6x6 cm
Weight: app. 3,8 kg
Non-slip step - 6 cm wide

A dream for every motorhome & caravan driver. A ladder that fits into every niche. Compact, stable & of high quality. With a length of 2,10 meters, it can be stored in the rear garage. When unfolded, it is a fully functional and stable extension ladder. Load cap. up to 150 kg.

44005 89,90



You can find more ladders and fall arresters on our homepage at www.REIMO.com

Access ladders for canopies

- Foldable aluminum ladders in 2 sizes Fits between driver's and passenger's seats
- Small to store, ideal for traveling
- Loadable up to 100 kg



Short ladder with 4 steps: L 145 x W 29 cm, pack size: L 89 x W 29 x H 9,5 cm, weight approx. 2,8 kg
42131 195,-

from 186,-

Long ladder w/ 6 steps: L 208 x W38 cm, pack size: L 121 x W 38 x H 9,5 cm, Weight approx. 5 kg
42132 186,-

Quick hook-in function



Foldable aluminum ladder with heavy-duty bracket for sleeping roof

- Foldable aluminum ladders in 2 sizes: For VW T5/T6 camper vans or for REIMO panel van sleeper roofs (Fiat Ducato, Mercedes-Benz Sprinter or similar)
- Fits between the driver & front passenger seats
- Small to store, ideal for traveling
- Loadable up to 100 kg



from 172,-

For Volkswagen T5/T6 with 5 steps:
L 145 x W 29 cm, packing size:
L 87x W 29x H 8 cm, weight approx. 2,3 kg
42121 172,-

For Maxivan sleeper roofs with 9 steps:
L 208 x W38 cm, Pack size: L128 x W38 x H10,5 cm, Weight approx. 5 kg
42122 249,-



Hook-in function with interlock



Spare parts for 42121

- ① Top ladder bracket E11209 4,40
- ② Ladder suspension hook E11378 3,-



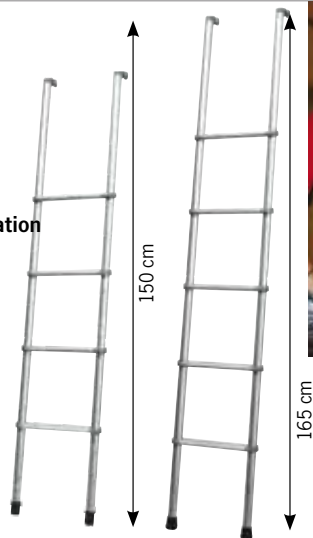
Interior ladders for easy access to the alcove or high roof bed

- Aluminum ladders with 15° inclination
- Convenient access to the loft bed
- Hook for alcove bed

Overall width 35 cm, step width 28 cm
Step depth 5,5 cm

Deluxe 4 with 4 steps, 150 cm
Weight 2,4 kg 42026 155,-

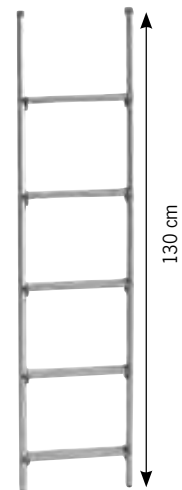
Deluxe 5 with 5 steps, 165 cm
Weight 2,6 kg 42027 171,-



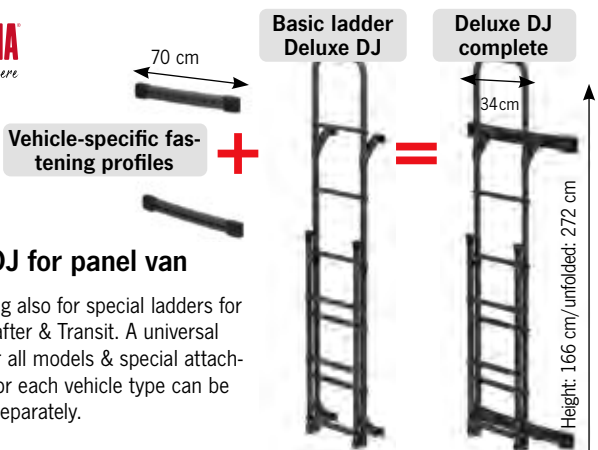
Aluminum ladder with 5 steps

Total width 28 cm
Step width 25 cm
Step depth 5 cm

130 cm 420202 140,-



ALUMINUM OUTDOOR LADDERS



Deluxe DJ for panel van

New handling also for special ladders for Sprinter, Crafter & Transit. A universal structure for all models & special attachment bars for each vehicle type can be purchased separately.

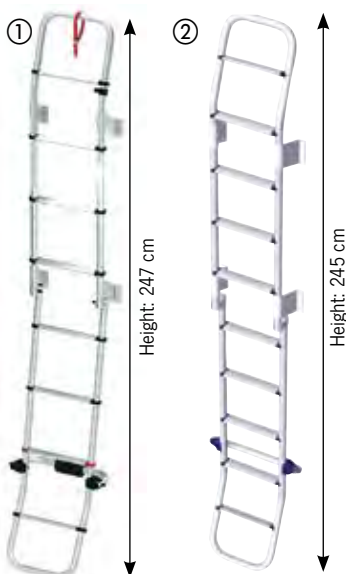
Order mounting profiles for vehicle separately (weight approx. 2,1 kg):

Kit bars DJ Sprinter ≥ 06/Crafter ≥ 06 ≤ 16 Silver	440509	199,--
Kit Bars DJ Sprinter ≥ 06/Crafter ≥ 06 ≤ 16 Deep Black	440510	221,--
Kit Bars DJ Crafter ≥ 17 Silver	440505	199,--
Kit Bars DJ Crafter ≥ 17 Deep Black	440506	221,--
Kit Bars DJ Transit ≥ 14 Silver	440507	199,--
Kit Bars DJ Transit ≥ 14 Deep Black	440508	221,--

Ladder without fixing profiles, weight. 5,5 kg

Deluxe DJ Silver	440437	319,--
Deluxe DJ Black	440438	374,--

For alcove and semi-integrated motorhomes



① Deluxe 8, length 246 cm with 8 steps

- Fold-down with chassis protection
 - Non-slip profiling of the steps
- Step width 28 cm, outer dim. 35 cm, weight 5,5 kg.

4416011 336,--



② Folding ladder with 10 steps

- Length 245 cm
- Very light, weight only 6 kg

Ladder/step width 30/24 cm, built-in folds 125 cm long, ladder depth 29cm

42021 384,--



Ladder for Fiat Ducato, Citroën Jumper and Peugeot Boxer ≥ 7/2006

- Very stable ladder with 7 ladder steps
- For the left rear door
- Not suitable for 270° doors!

7-rung ladder, completely pre-assembled, pre-formed license plate recess, for attachment to left rear door. Clear width of the rungs is 22 cm.

Equipment: Aluminium ladder, anodized, 7 rungs, 2 clamping rails.

Dims.: W 83 x H 210 x D 20 cm

Own weight: 10 kg, max. load: 100 kg

Can also be fitted in conjunction w/ bicycle carrier art. no. 44029

420351 524,--



Deluxe DJ high ladder for Fiat Ducato ≥ 6/06

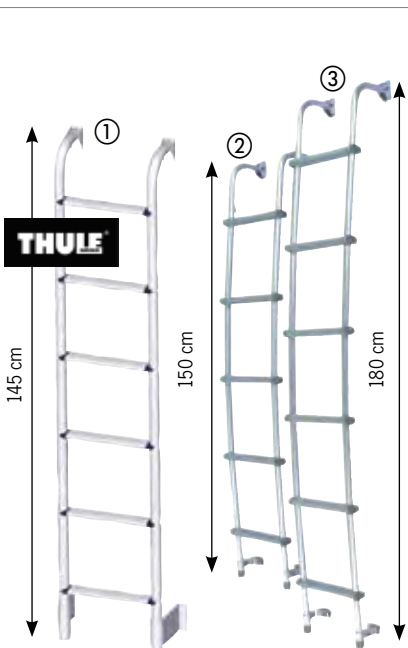
- Secure fastening and high load capacity
- Wide mounting brackets for optimum load distribution
- For the left-hand rear door

Step width inside 28 cm.

Weight: 6,5 kg

Silver 44437 476,--

Deep Black 44440 547,--



The long rear ladders

- Made of aluminum
- For most rear doors
- For Sprinter, LT, Crafter, Vivaro, Traffic, Movano, Master, Transit

(length/width/step width)

① Thule 6-stage (145 / 30 / 24 cm) 42024 259,--

② 5-stage (150 / 28 / 23 cm) 42002 176,--

③ 6-stage (180 / 28 / 23 cm) 42019 190,--



Van ladder 4 steps

- For tailgate vehicles
- Very stable due to the curved shape
- Height 126 cm
- Step width approx. 30 cm

(Does not fit VW T3)

42023 239,--



ACCESSORY TIP Safe Ladder

- Lockable ladder safety catch
- Protection against unauthorized access
- Suitable for double and single steps

Robust, secure and lockable anti-theft protection for motorhome ladders. With lockable lock.

Dimensions 23 x 78 cm. Weight: 1,3 kg

42028 130,--





Escali - the multifunctional ladders with a maximum height of 3,2m!

- Ideal for loading the roof box or cleaning the caravan and motorhome
- 11-stage, extended height max. 3,20 m!
- Compactly foldable, fits comfortably in the trunk or in the rear garage
- Loadable up to max. 150 kg, weight approx. 9,1 kg

Safety note: According to TÜV regulations, the Escali multifunctional ladder must protrude 70 cm above the stop height!

Escali multifunction ladder

Approved according to EN 131-6.

Pack size: H approx. 77cm, W approx. 44/46 cm
440130 175,-



EN 131-6 APPROVED



Thule Van ladder + magnet adapter

Telescopic ladder, 9 steps

Stable standing on all surfaces
 Safe insertion of the ladder thanks to air pressure system.

Dimensions open:

49 x 264 x 7 cm

Dimensions closed:

49 x 75 x 7 cm

Weight: 8,1 kg

The magnetic adapter bracket must be attached to the body to securely fix the ladder.

Transport bag included

Scope of delivery: Ladder, magnetic adapter and packing bag

45098

389,-



Magnet adapter holder

Reliable adapter for attaching an extension ladder to the body of the vehicle. The ladder (also Escali ladder) is fixed to the bracket with ratchet straps.

This protects your vehicle and provides safety when climbing the ladder.

Organizers can be attached to the bracket.

Packing bag included

45099

154,-